

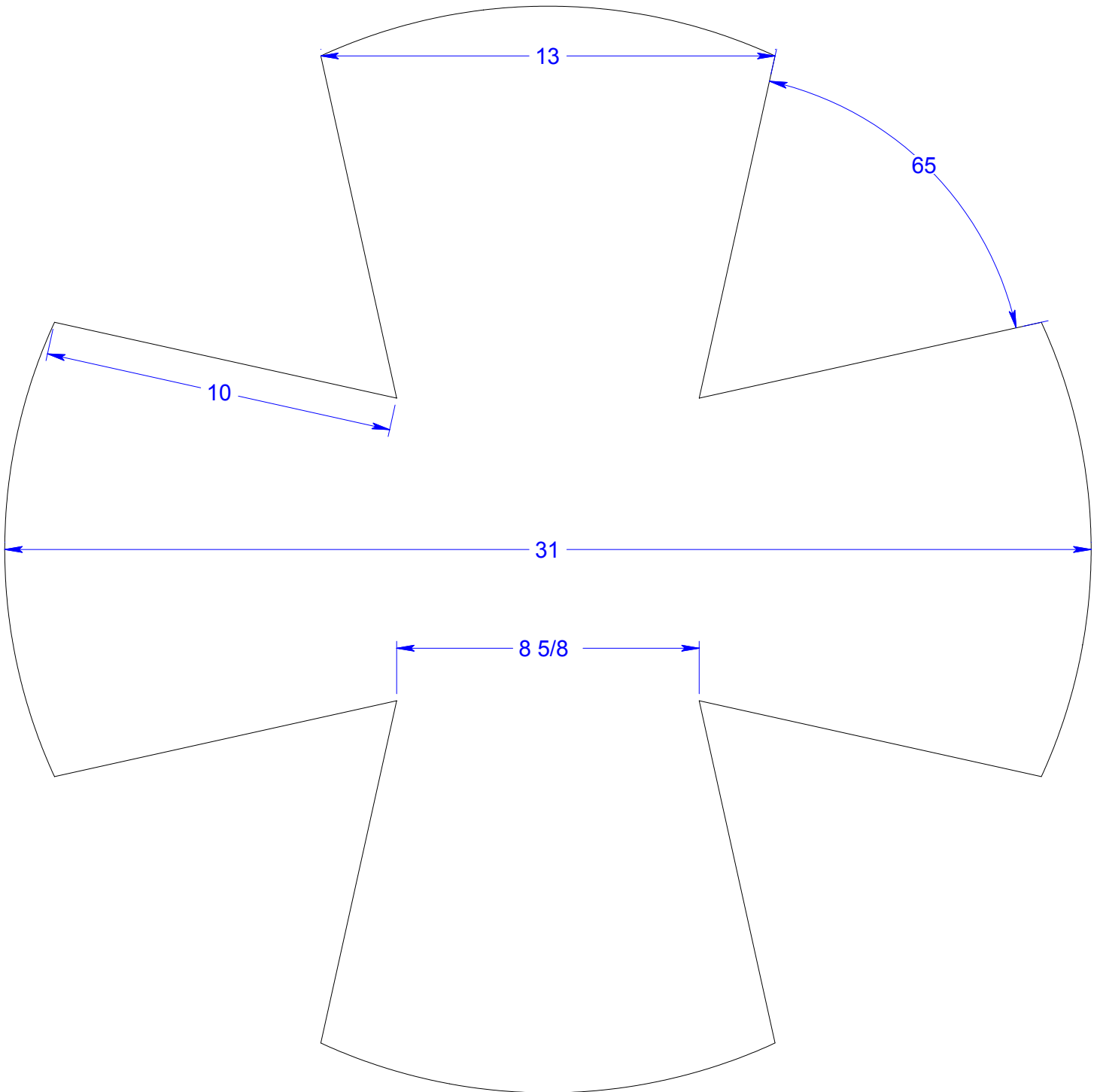
## CoCo Fiber Template



## Euro Cauldron Planter

Amount Needed: Cut a 36" piece of CoCo Fiber from the 36" roll at your local Austram dealer.

Recommended cutting tool: Barnel Model B1444 pruner or another good quality straight pruner.



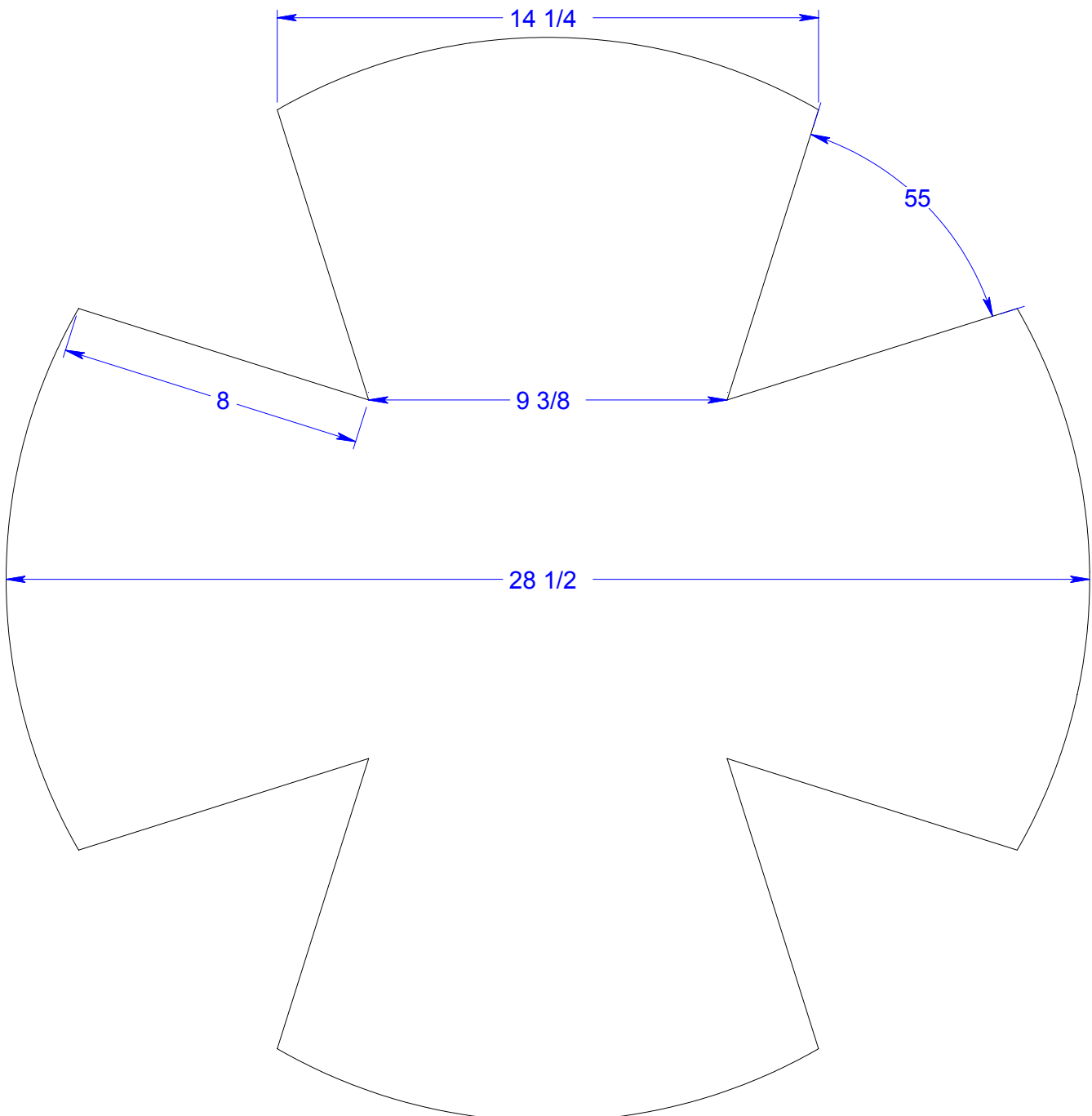
## CoCo Fiber Template



## 16" Venetian Hanging Planter

Amount Needed: Cut a 36" piece of CoCo Fiber from the 36" roll at your local Austram dealer.

Recommended cutting tool: Barnel Model B1444 pruner or another good quality straight pruner.



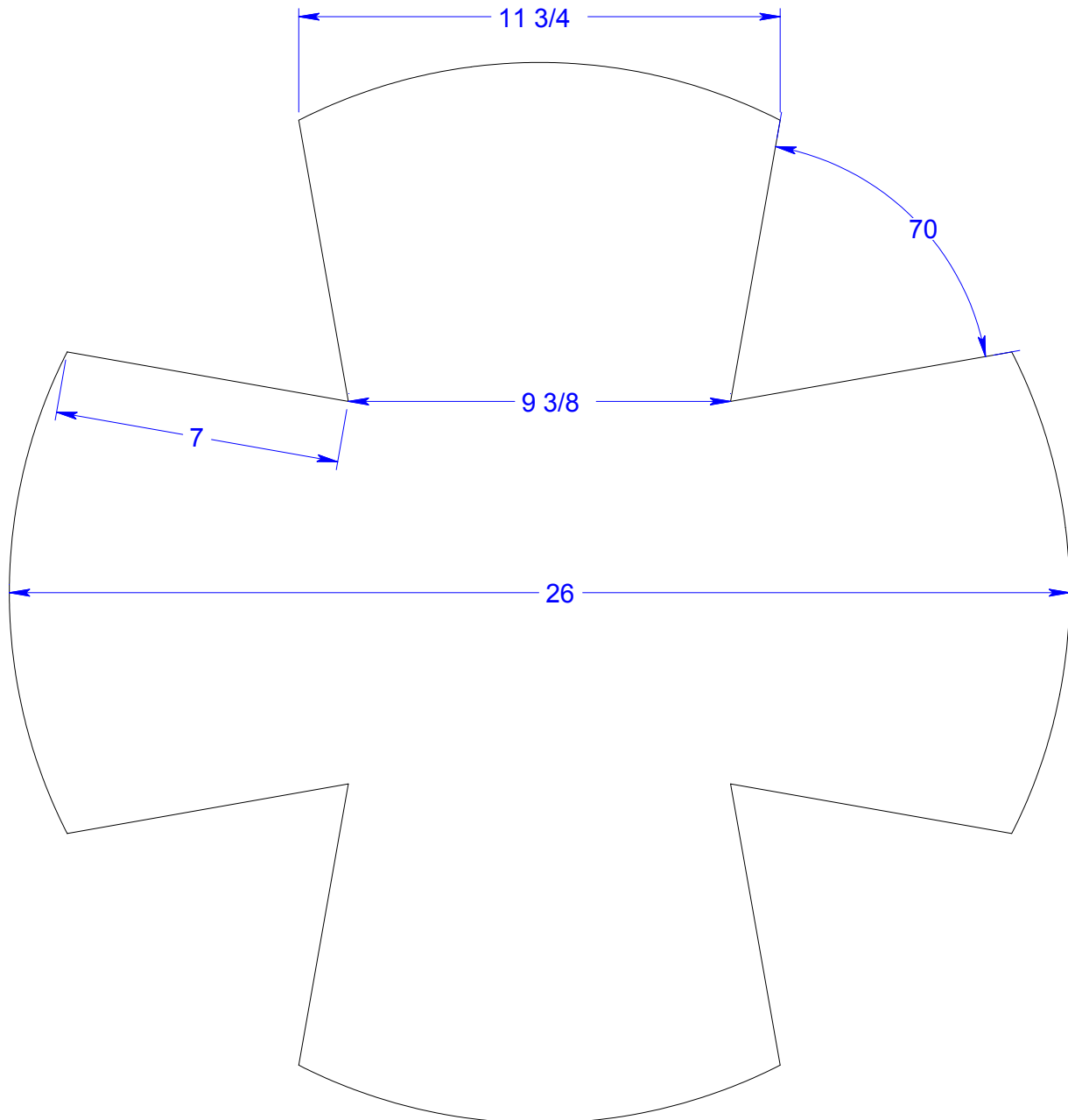
## CoCo Fiber Template



## 14" Venetian Hanging Planter

Amount Needed: Cut a 36" piece of CoCo Fiber from the 36" roll at your local Austram dealer.

Recommended cutting tool: Barnel Model B1444 pruner or another good quality straight pruner.



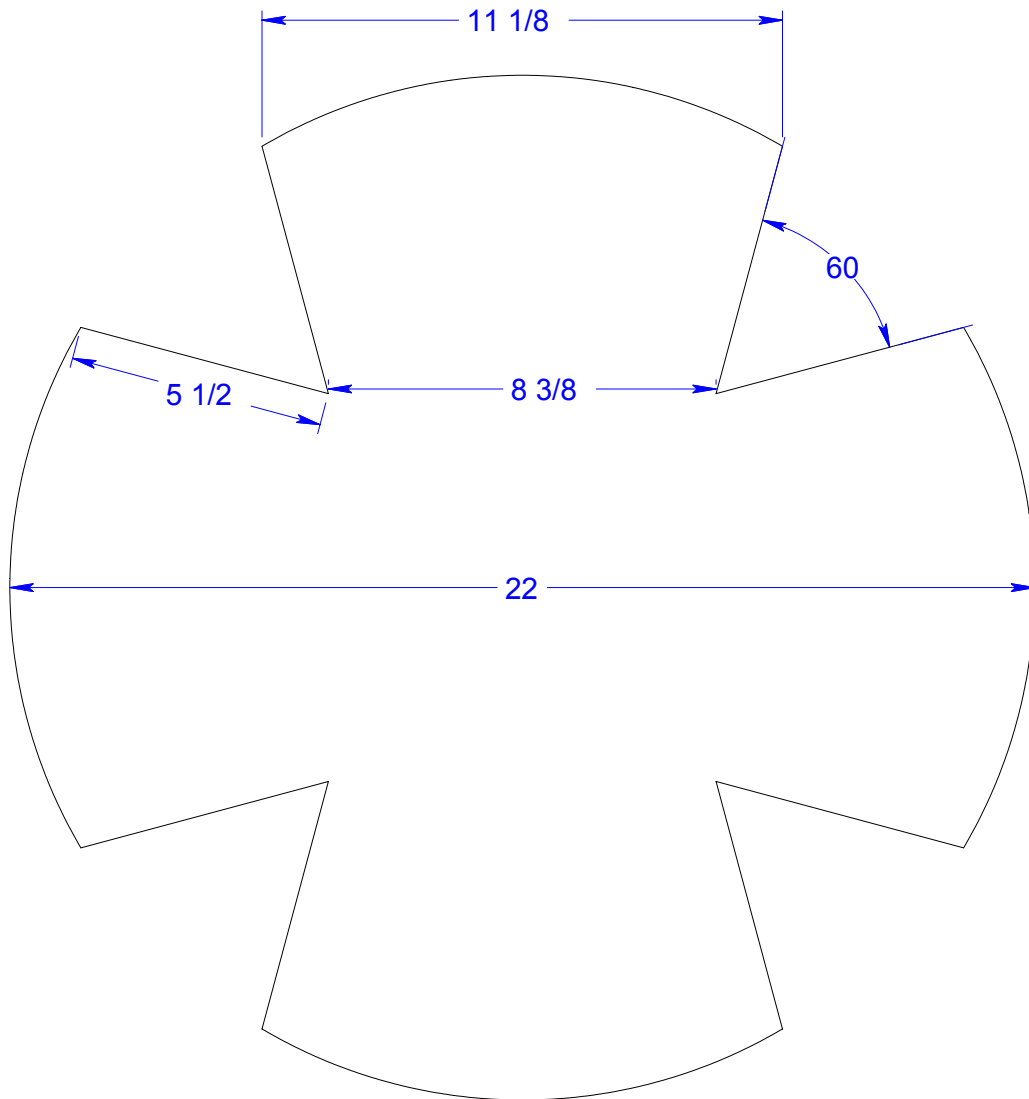


## CoCo Fiber Template

## 14" Regal Hanging Planter

Amount Needed: Cut a 24" piece of CoCo Fiber from the 24" roll at your local Austram dealer.

Recommended cutting tool: Barnel Model B1444 pruner or another good quality straight pruner.



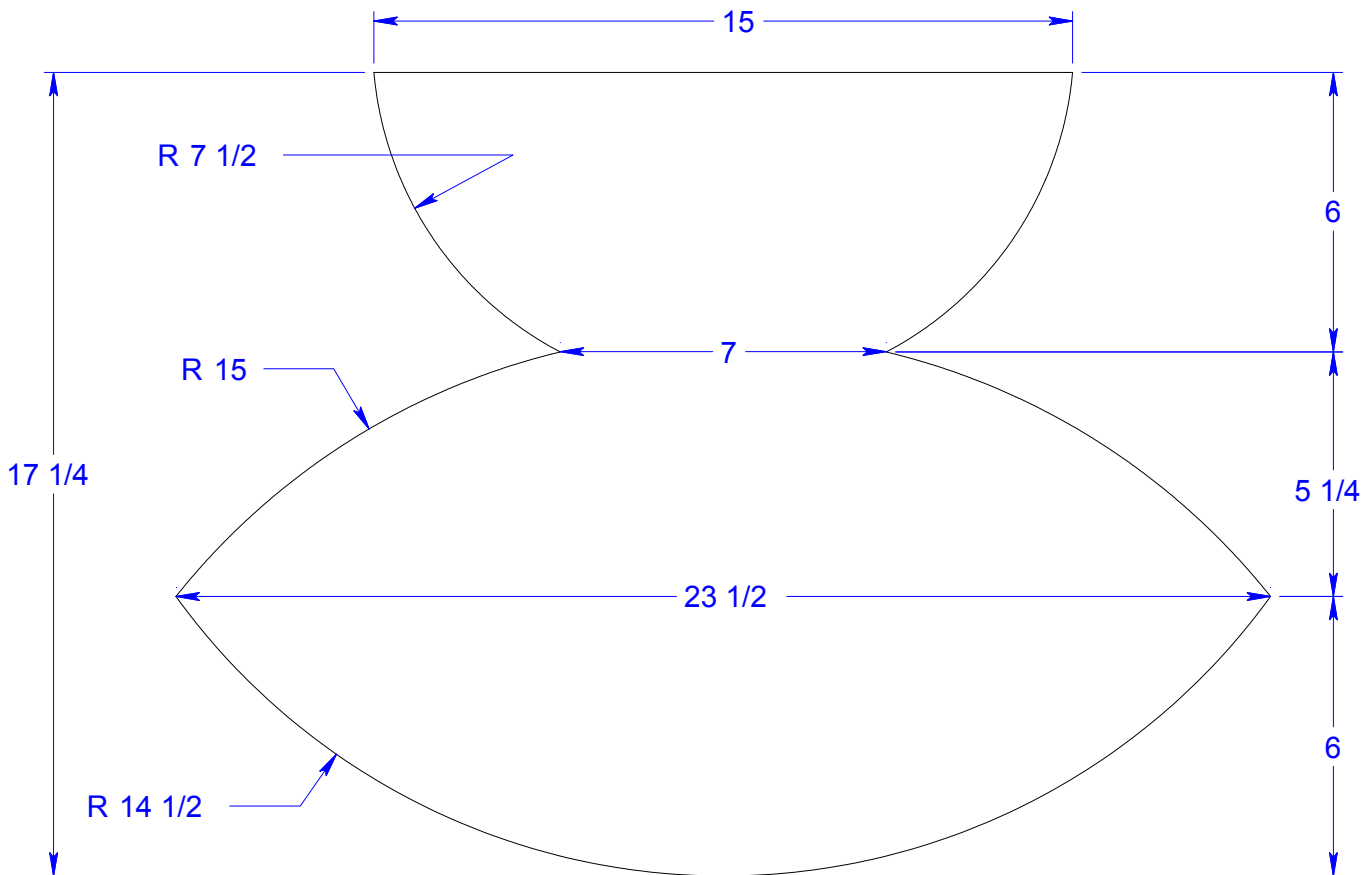
# CoCo Fiber Template



# 16" Regal Wall Planter

Amount Needed: Cut a 24" piece of CoCo Fiber from the 24" roll at your local Austram dealer.

Recommended cutting tool: Barnel Model B1444 pruner or another good quality straight pruner.



## CoCo Fiber Template

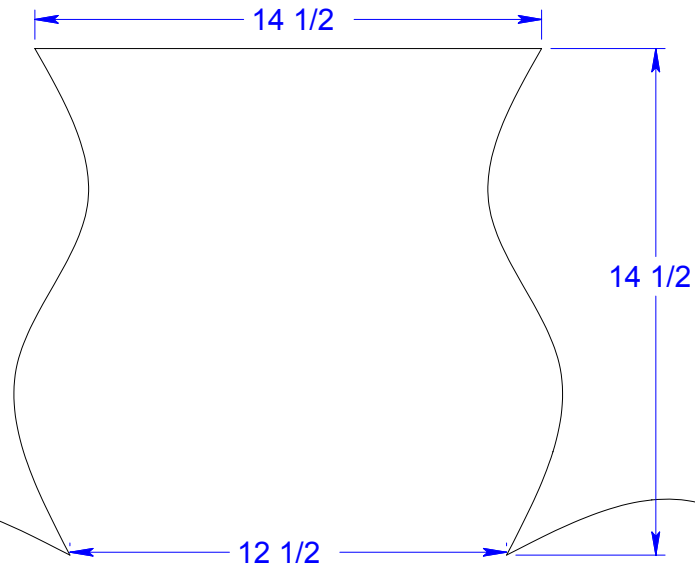


## Euro Tulip Planter

Amount Needed: Cut 2, 48" pieces of CoCo Fiber from the 24" roll at your local Austram dealer.

Recommended cutting tool: Barnel Model B1444 pruner or another good quality straight pruner.

Make two identical pieces, then overlap them in the center of the planter



Overlap by one inch in the center of the planter

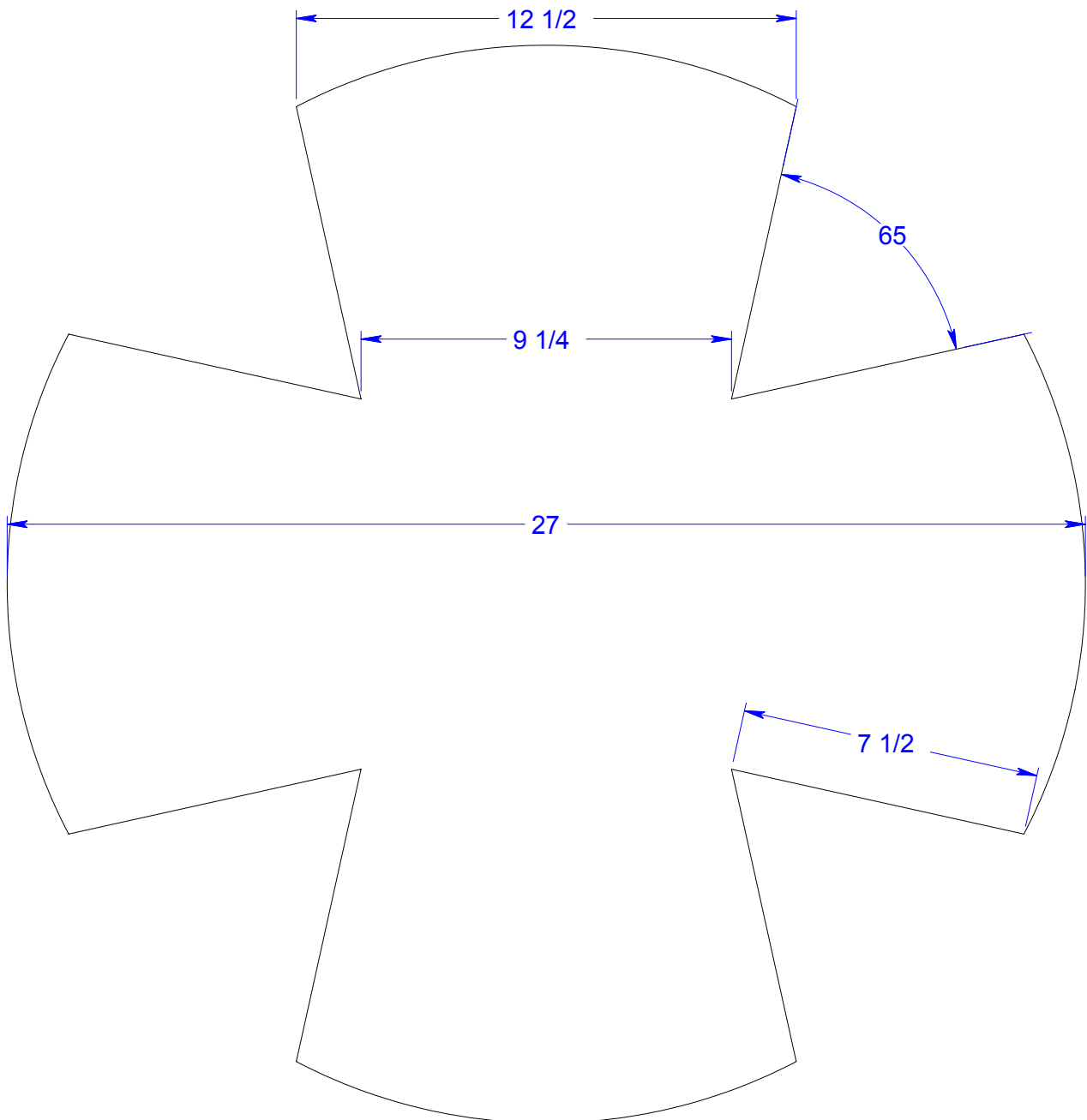
## CoCo Fiber Template



## 16" Euro Hanging Planter

Amount Needed: Cut a 36" piece of CoCo Fiber from the 36" roll at your local Austram dealer.

Recommended cutting tool: Barnel Model B1444 pruner or another good quality straight pruner.



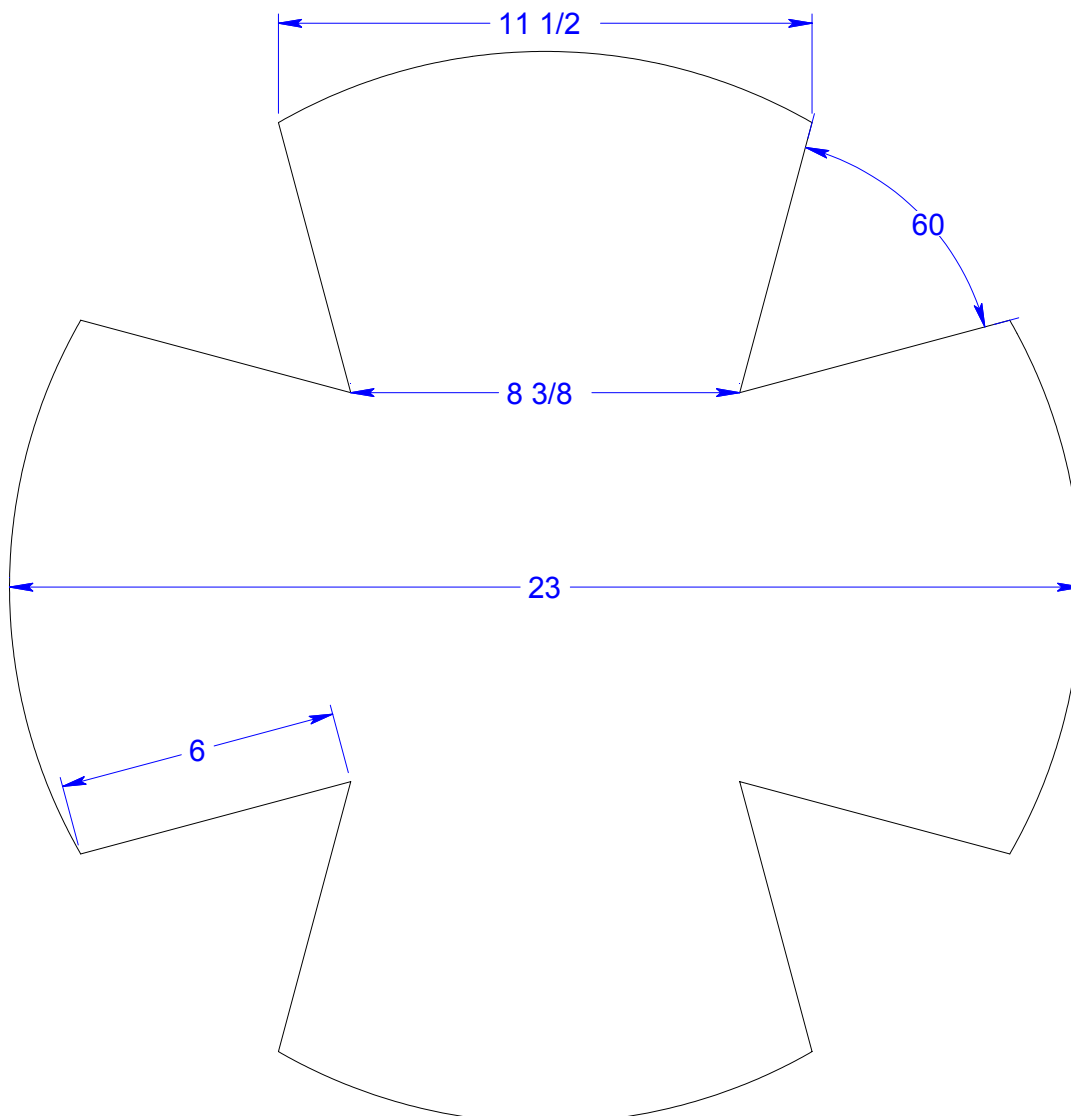
## CoCo Fiber Template



## 14" Euro Hanging Planter

Amount Needed: Cut a 24" piece of CoCo Fiber from the 24" roll at your local Austram dealer.

Recommended cutting tool: Barnel Model B1444 pruner or another good quality straight pruner.



# CoCo Fiber Template



# Euro Wall Planter

Amount Needed: Cut a 48" piece of CoCo Fiber from the 36" roll at your local Austram dealer.

Recommended cutting tool: Barnel Model B1444 pruner or another good quality straight pruner.

