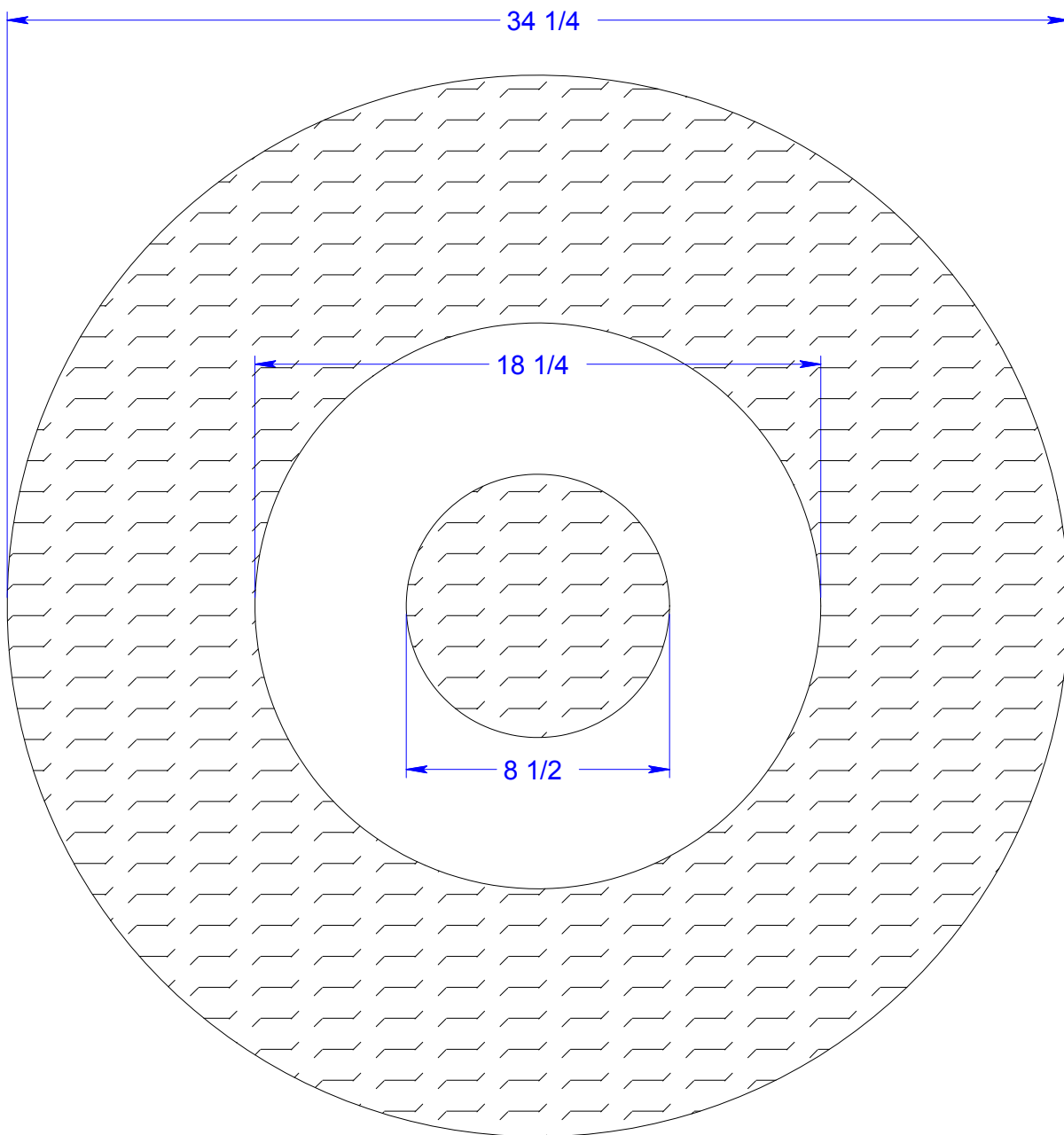




Amount Needed: Cut a 36" piece of CoCo Fiber from the 36" roll at your local Austram dealer.

Recommended cutting tool: Barnel Model B1444 pruner or another good quality straight pruner.

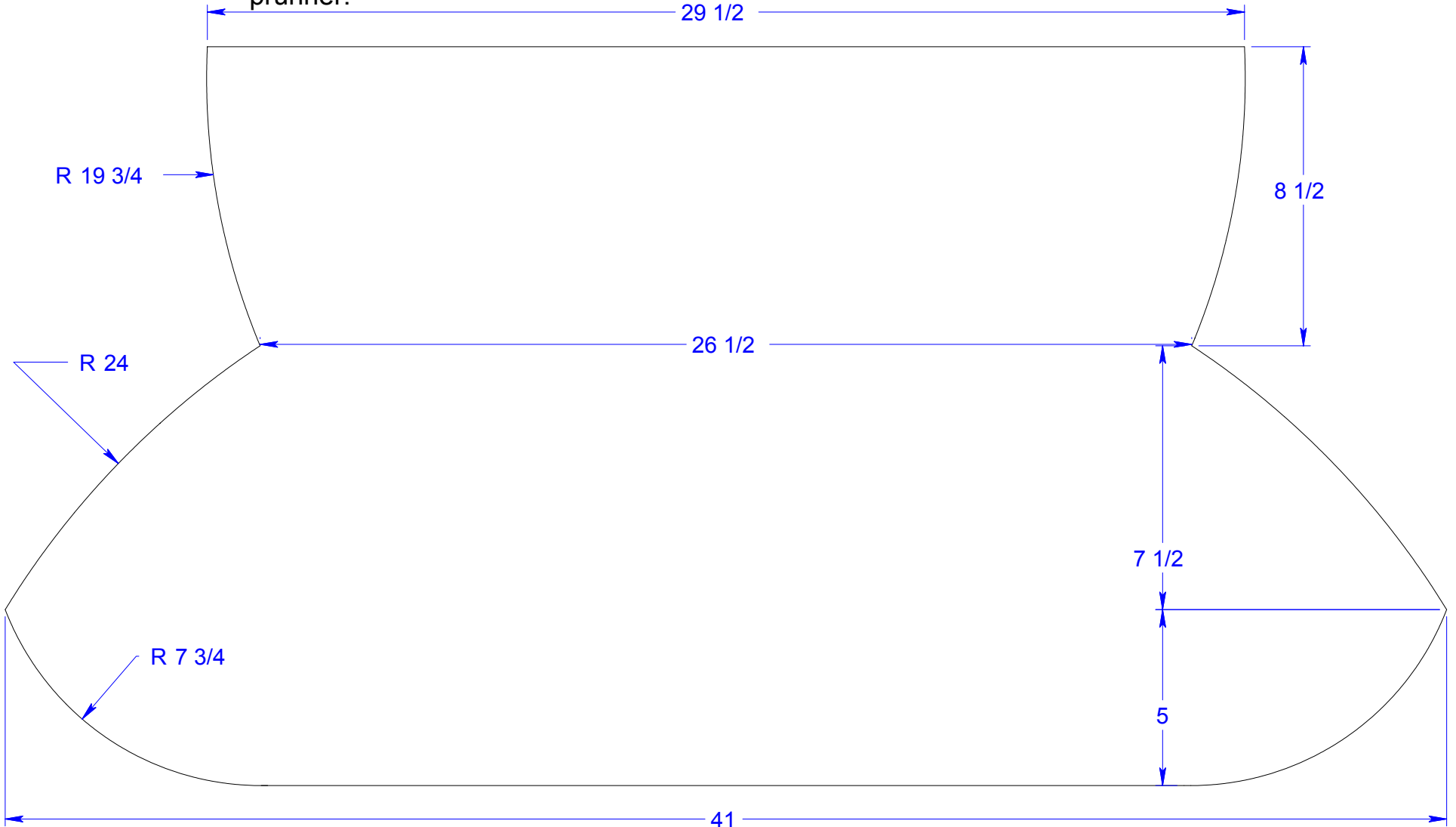


CoCo Fiber Template



30" Duchess Trough Planter

Amount Needed: Cut a 48" piece of CoCo Fiber from the 24" roll at your local Austram dealer.
Recommended cutting tool: Barnel Model B1444 pruner or another good quality straight pruner.



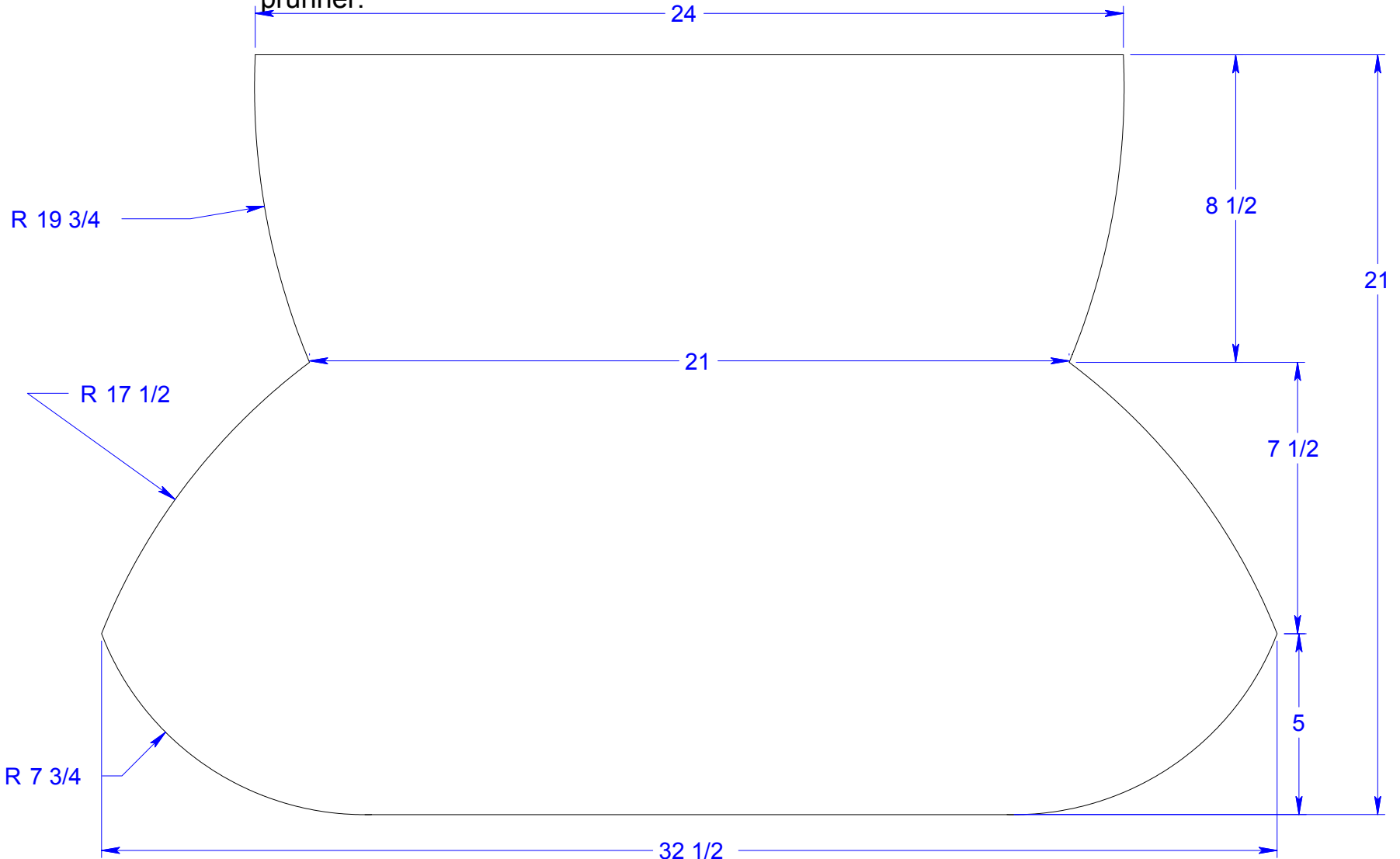
CoCo Fiber Template



24" Duchess Trough Planter

Amount Needed: Cut a 36" piece of CoCo Fiber from the 24" roll at your local Austram dealer.

Recommended cutting tool: Barnel Model B1444 pruner or another good quality straight pruner.



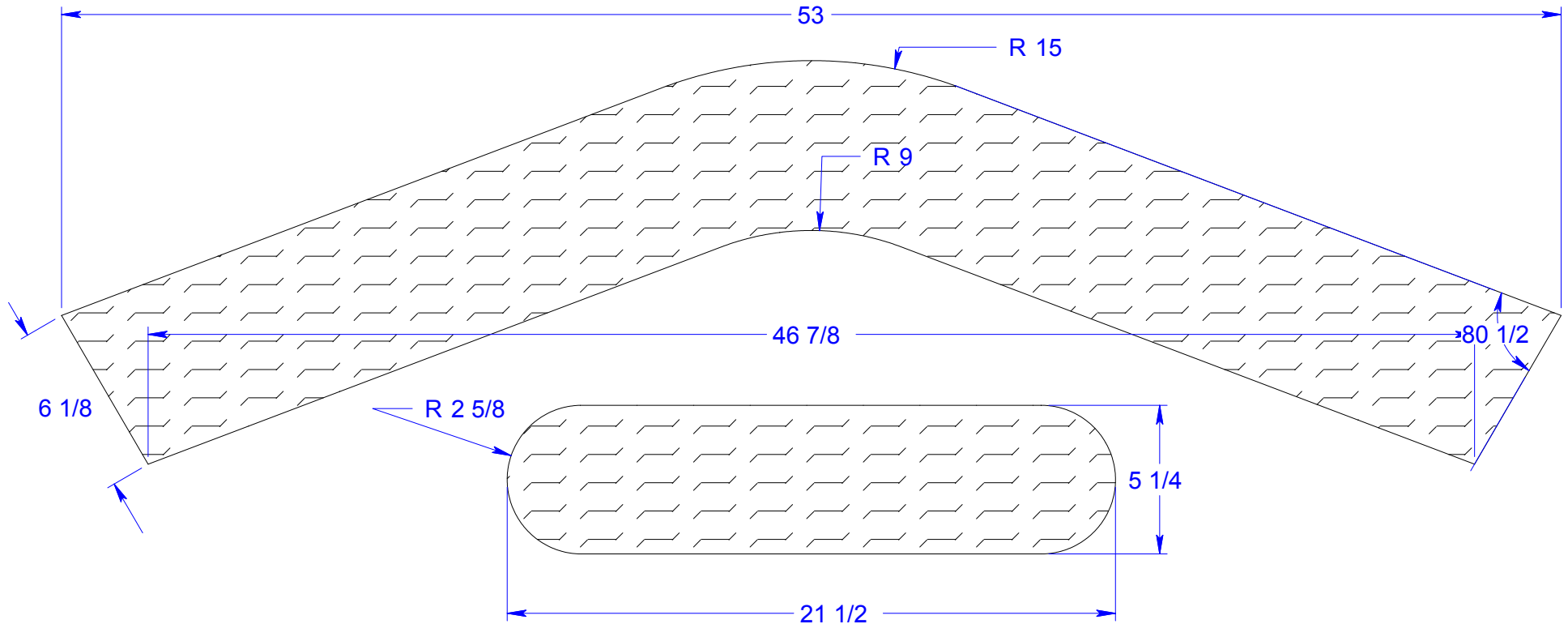
CoCo Fiber Template



24 Duchess Planter

Amount Needed: Cut a 36" piece of CoCo Fiber from the 36" roll at your local Austram dealer.

Recommended cutting tool: Barnel Model B1444 pruner or another good quality straight pruner.



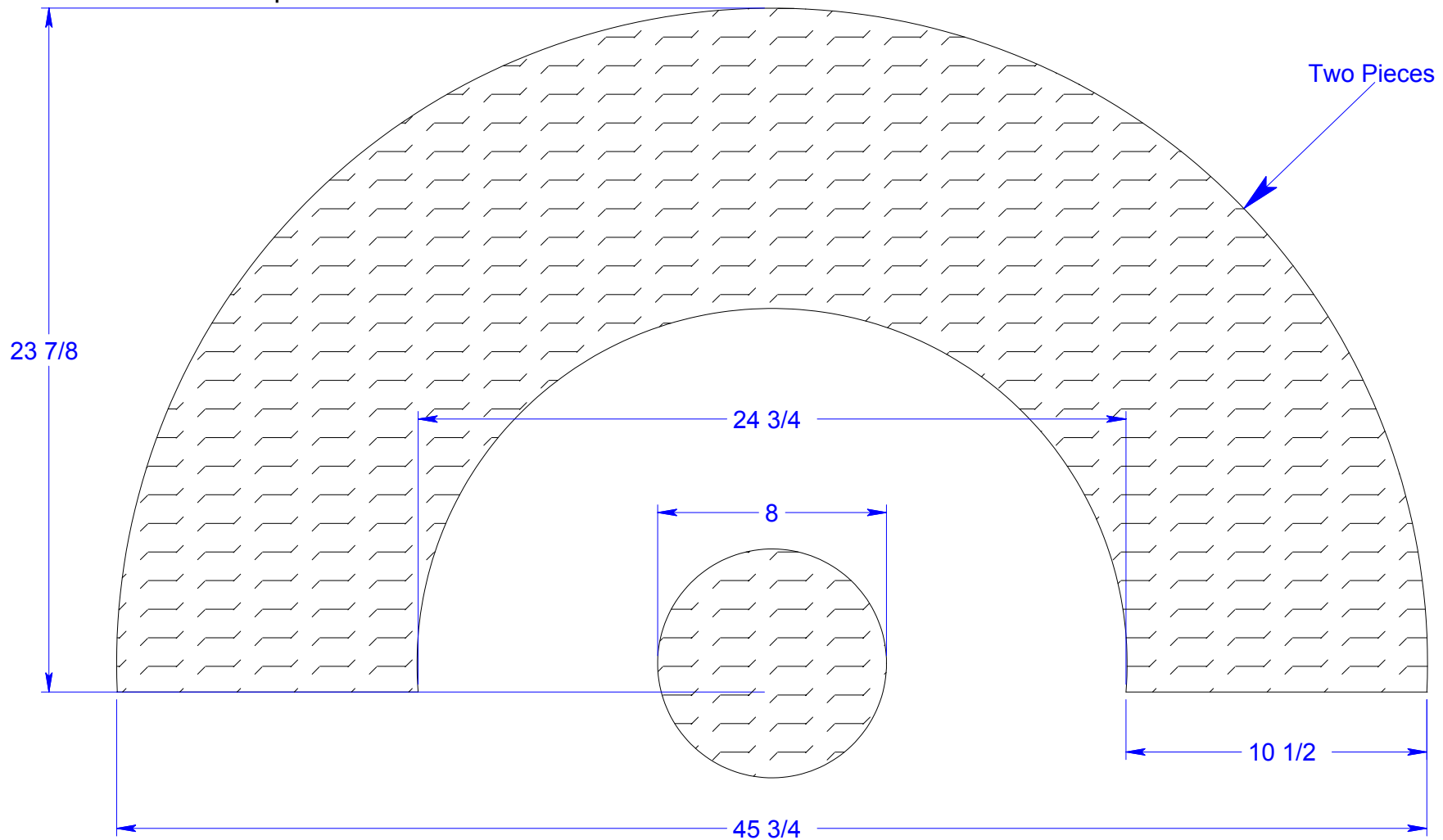
CoCo Fiber Template



16" Duchess Hanging Planter

Amount Needed: Cut a 48" piece of CoCo Fiber from the 36" roll at your local Austram dealer.

Recommended cutting tool: Barnel Model B1444 pruner or another good quality straight pruner.



CoCo Fiber Template



36" Duchess Trough Planter

Amount Needed: Cut a 48" piece of CoCo Fiber from the 36" roll at your local Austram dealer.

Recommended cutting tool: Barnel Model B1444 pruner or another good quality straight pruner.

