

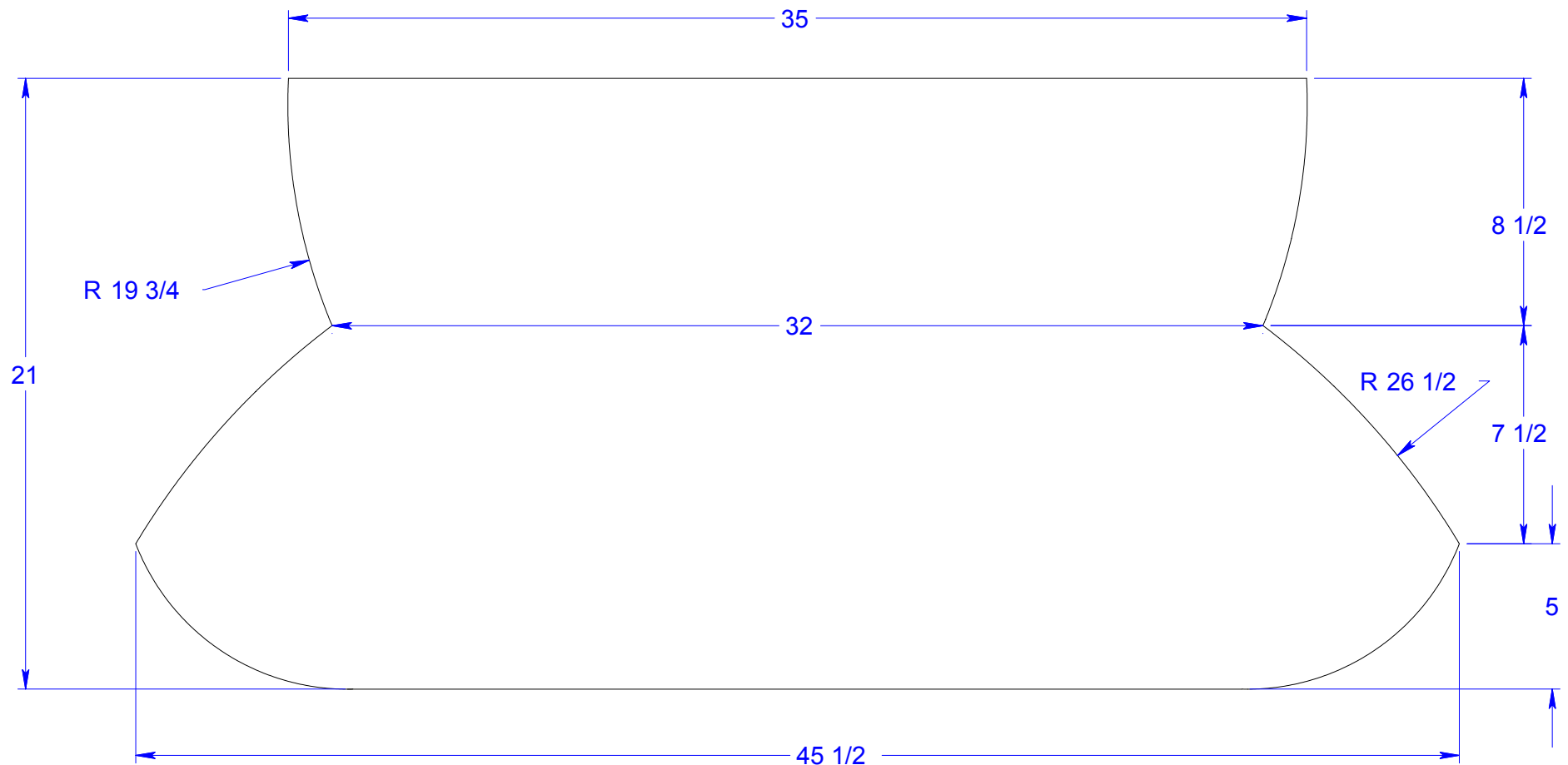
## CoCo Fiber Template



## 36" Diana Trough Planter

**Amount Needed: Cut a 48" piece of CoCo Fiber from the 24" roll at your local Austram dealer.**

**Recommended cutting tool: Barnel Model B1444 pruner on another good quality straight pruner.**



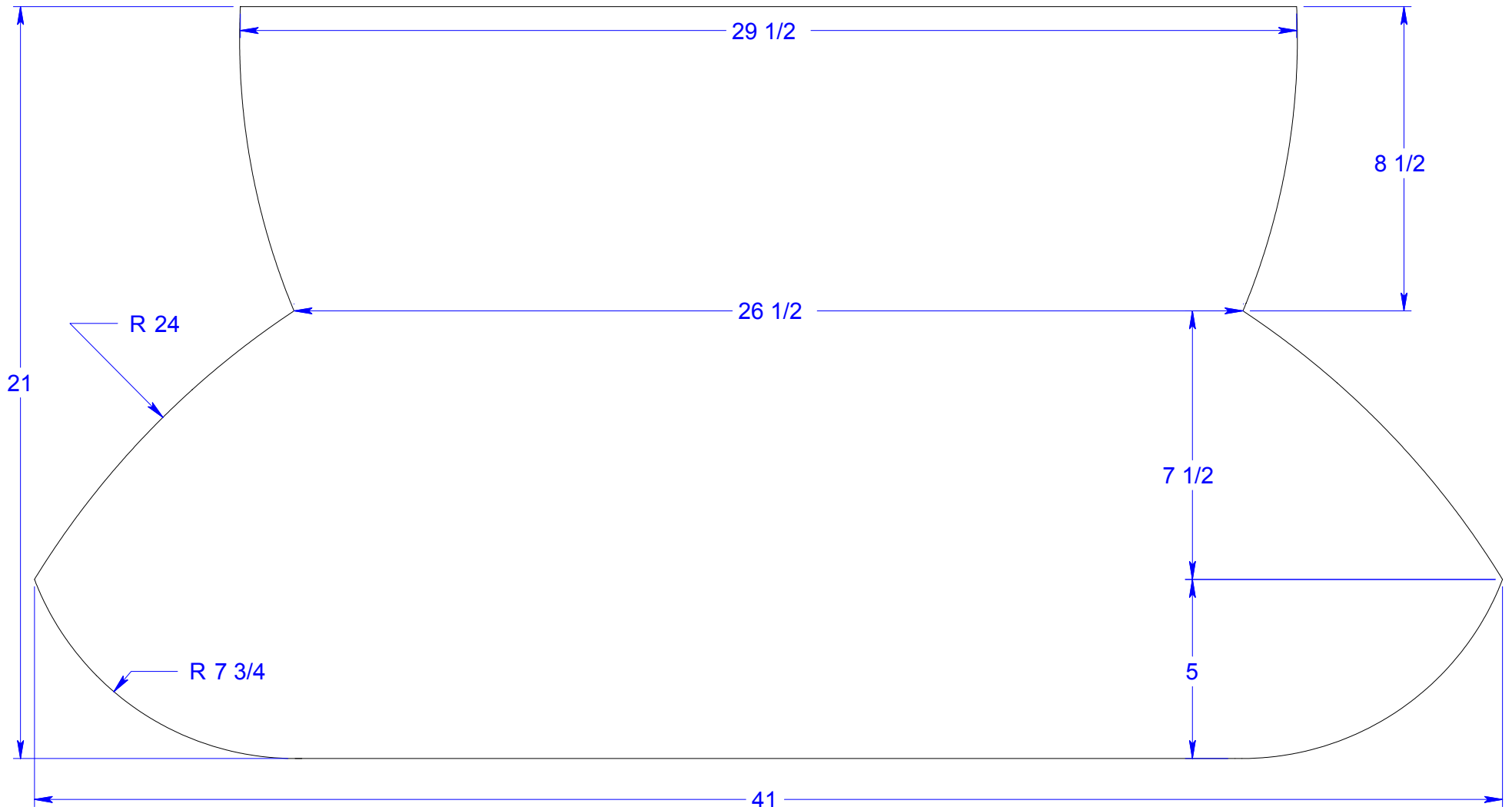
# CoCo Fiber Template



# 30" Diana Trough Planter

**Amount Needed: Cut a 48" piece of CoCo Fiber from the 24" roll at your local Austram dealer.**

**Recommended cutting tool: Barnel Model B1444 pruner on another good quality straight pruner.**



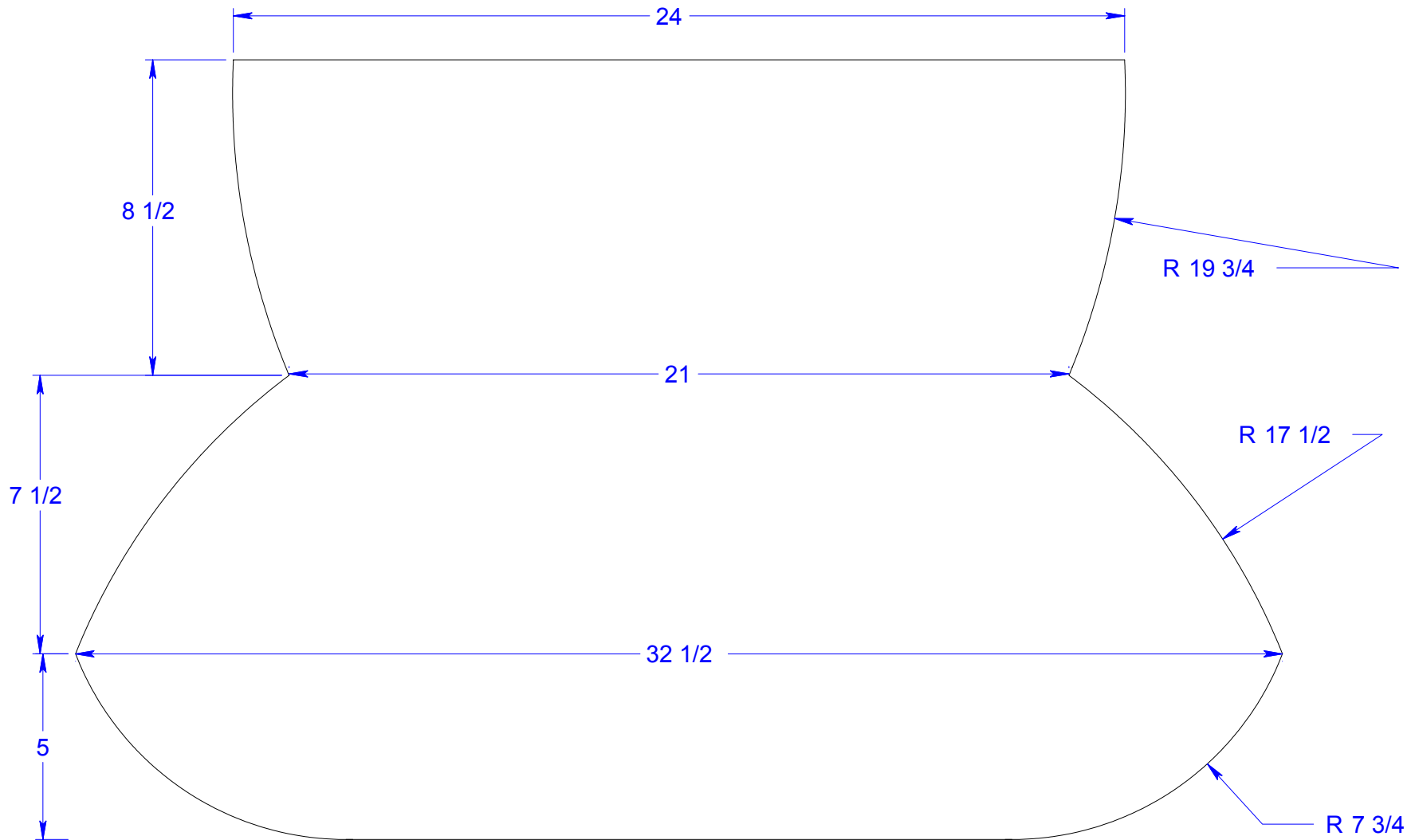
# CoCo Fiber Template



# 24" Diana Trough Planter

**Amount Needed:** Cut a 24" piece of CoCo Fiber from the 24" roll at your local Austram dealer.

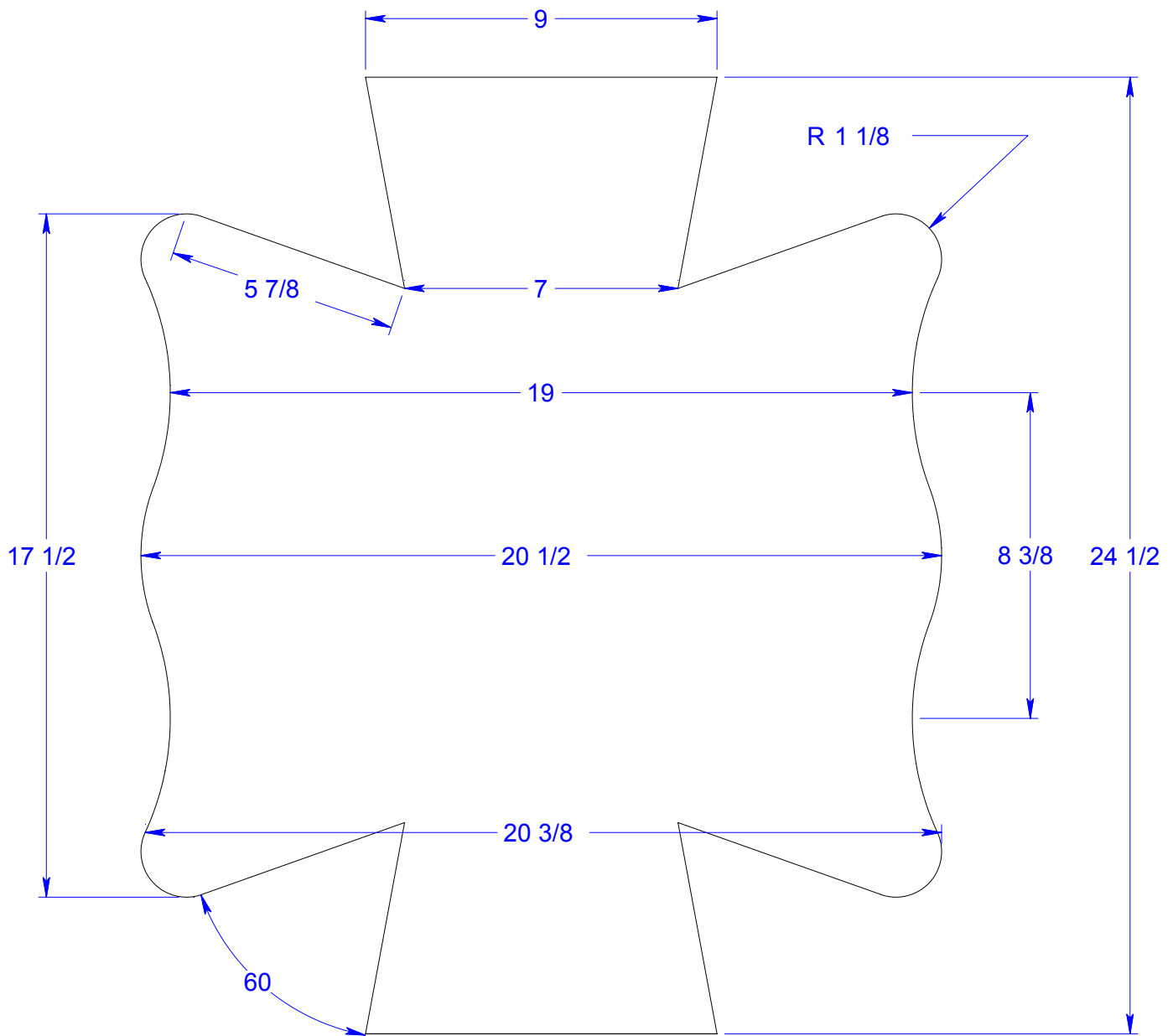
**Recommended cutting tool:** Barnel Model B1444 pruner or another good quality straight pruner.





Amount Needed: Cut a 36" piece of CoCo Fiber from the 24" roll at your local Austram dealer.

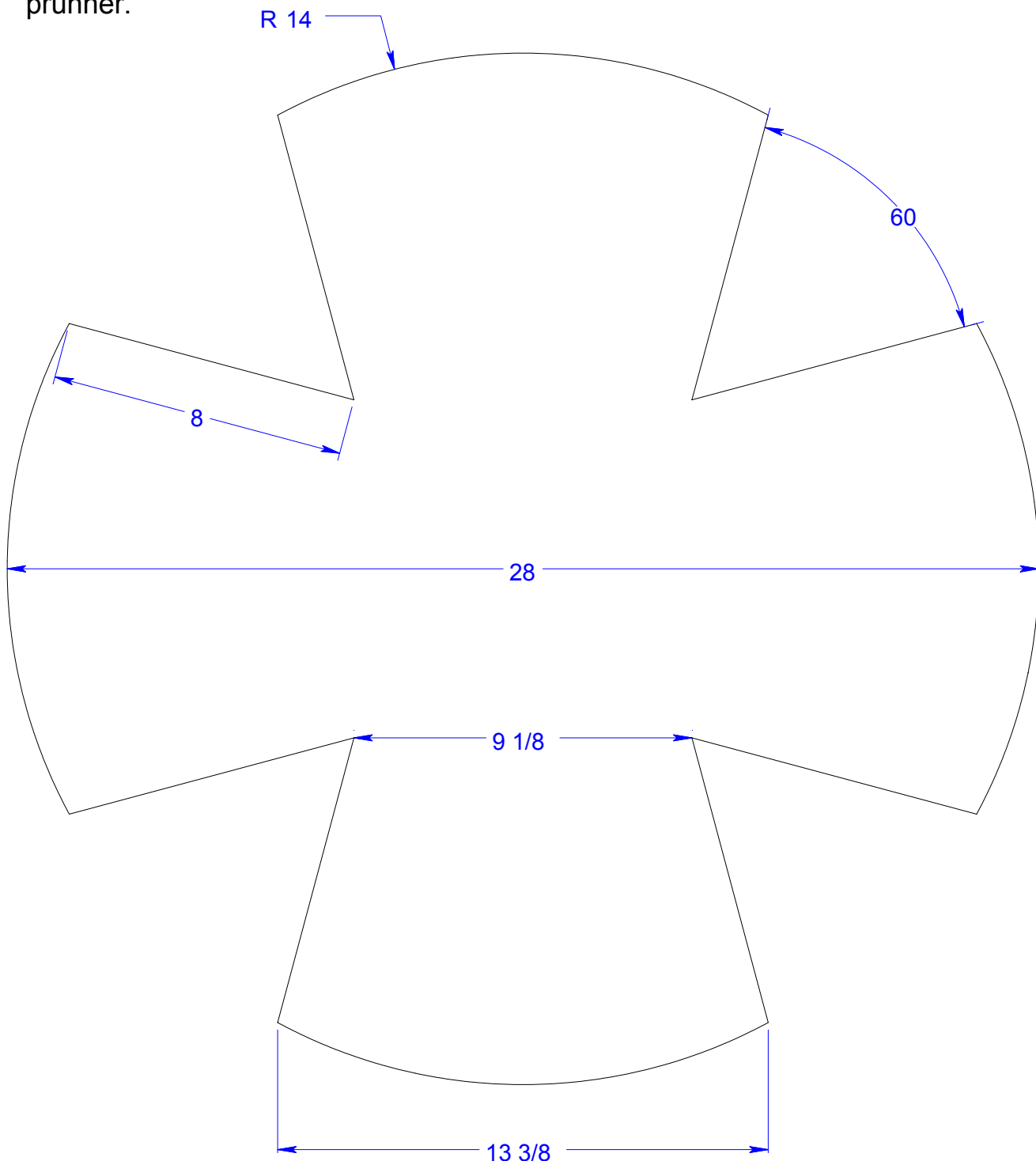
Recommended cutting tool: Barnel Model B1444 pruner or another good quality straight pruner.





Amount Needed: Cut a 36" piece of CoCo Fiber from the 36" roll at your local Austram dealer.

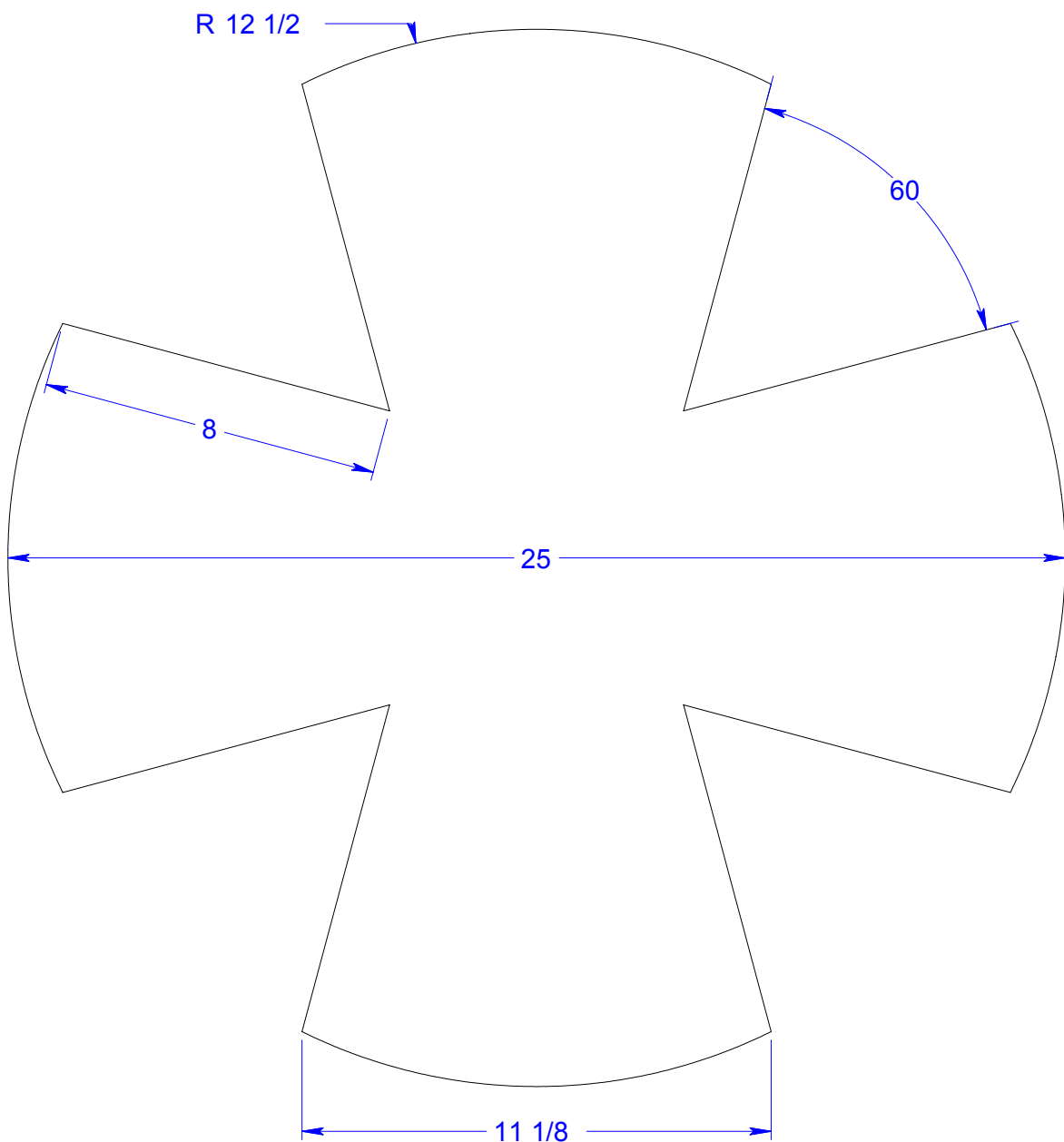
Recommended cutting tool: Barnel Model B1444 pruner or another good quality straight pruner.





Amount Needed: Cut a 24" piece of CoCo Fiber from the 24" roll at your local Austram dealer.

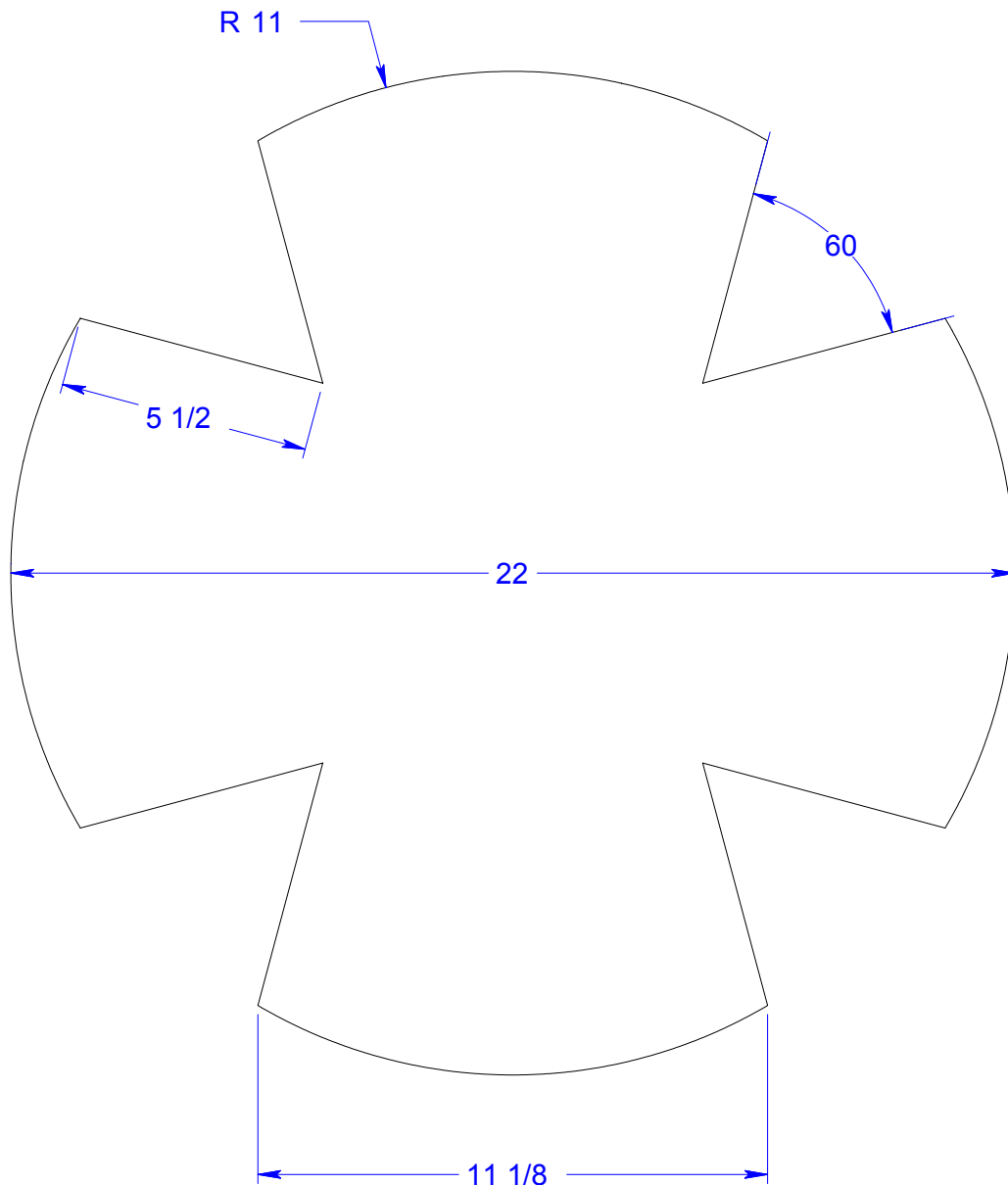
Recommended cutting tool: Barnel Model B1444 pruner or another good quality straight pruner.





Amount Needed: Cut a 24" piece of CoCo Fiber from the 24" roll at your local Austram dealer.

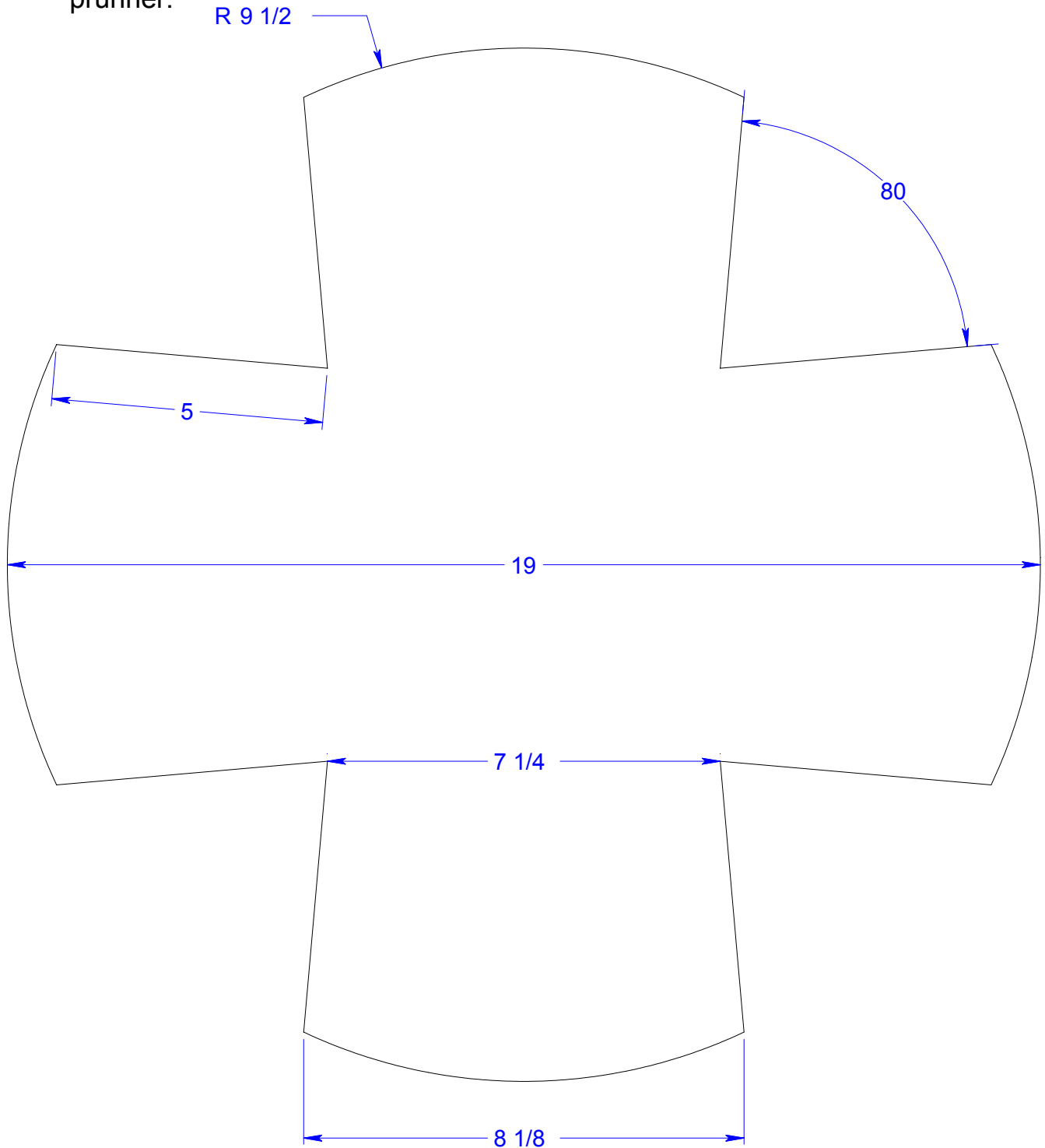
Recommended cutting tool: Barnel Model B1444 pruner or another good quality straight pruner.





Amount Needed: Cut a 24" piece of CoCo Fiber from the 24" roll at your local Austram dealer.

Recommended cutting tool: Barnel Model B1444 pruner or another good quality straight pruner.



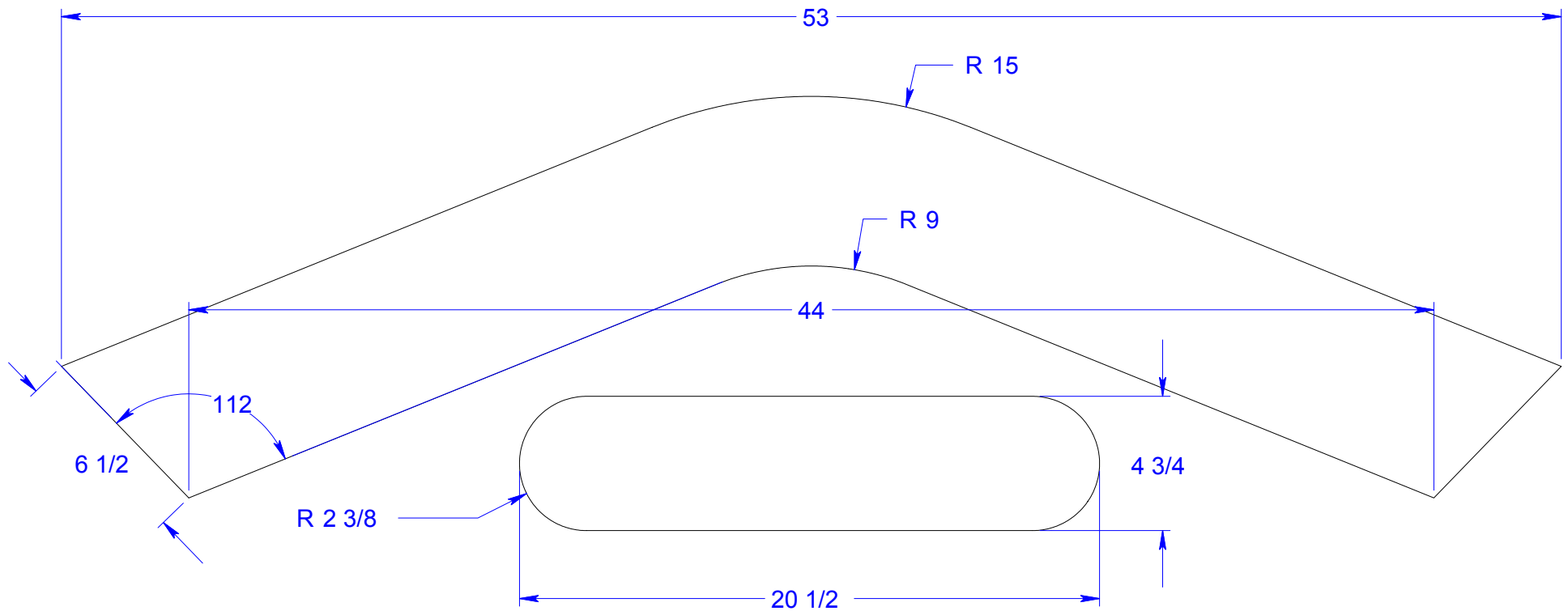
CoCo Fiber Template



CoCo Fiber Template

**Amount Needed:** Cut a 48" piece of CoCo Fiber from the 24" roll at your local Austram dealer.

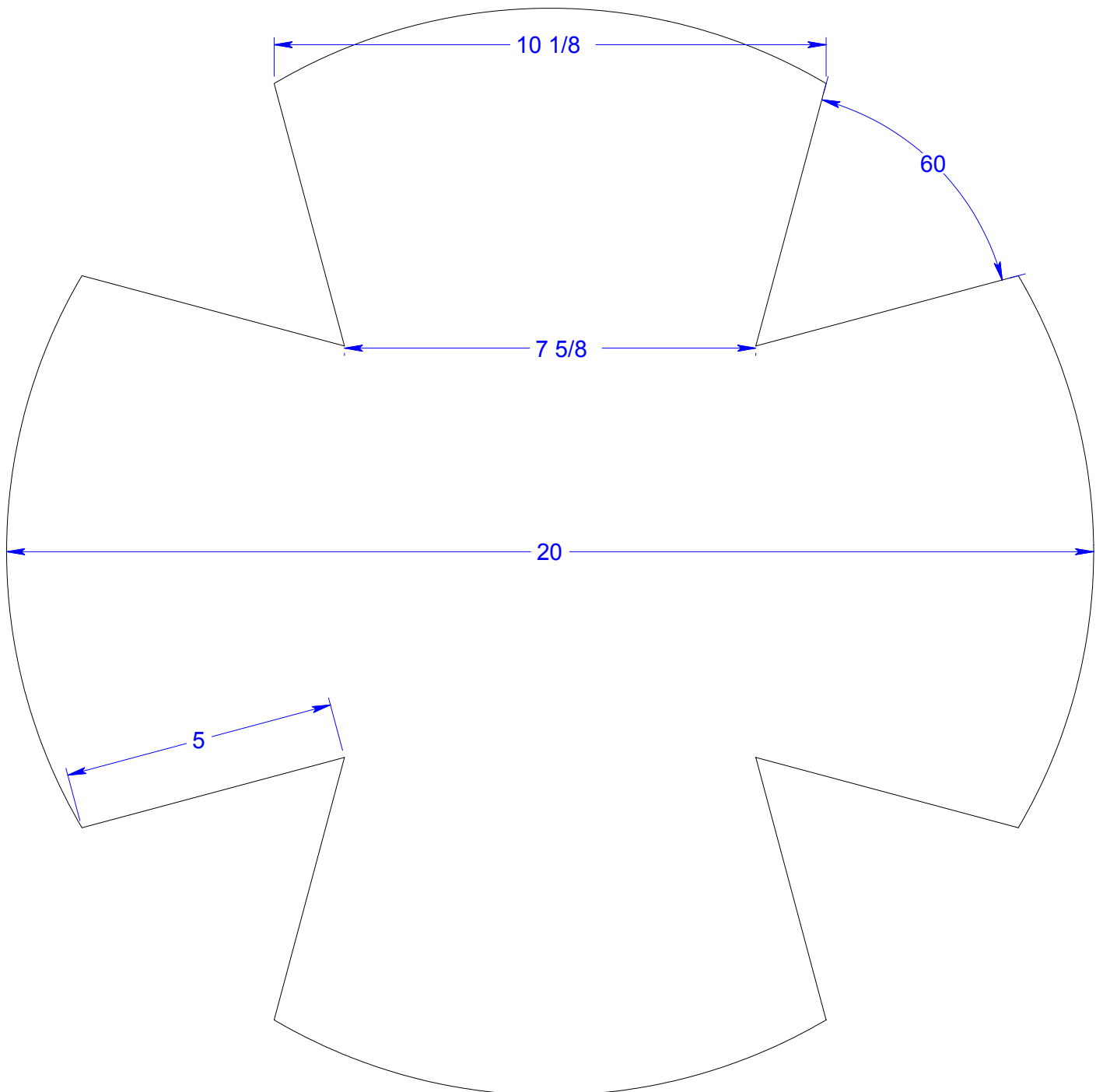
**Recommended cutting tool:** Barnel Model B1444 pruner on another good quality straight pruner.





Amount Needed: Cut a 24" piece of CoCo Fiber from the 24" roll at your local Austram dealer.

Recommended cutting tool: Barnel Model B1444 pruner or another good quality straight pruner.



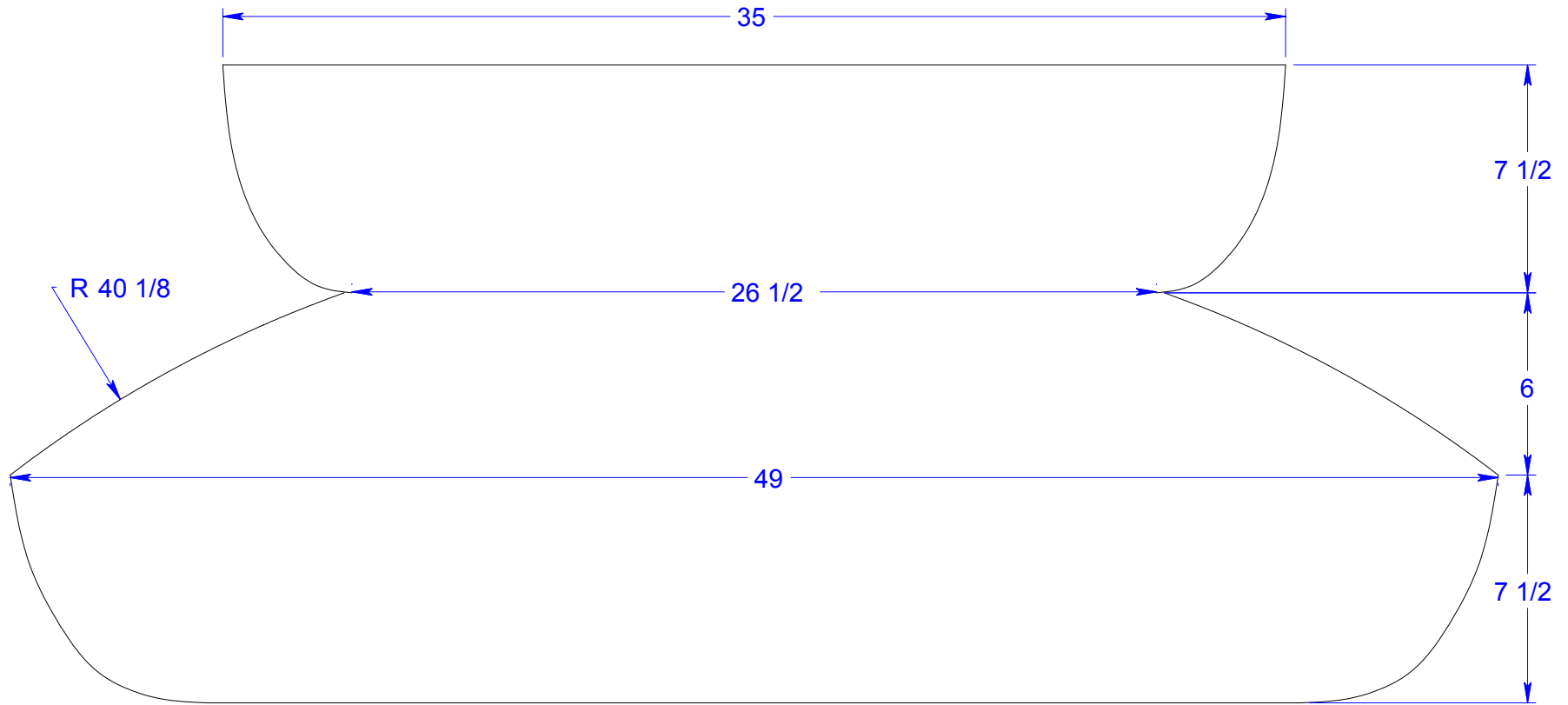
## CoCo Fiber Template



## 36" Hampton Trough Planter

Amount Needed: Cut a 60" piece of CoCo Fiber from the 24" roll at your local Austram dealer.

Recommended cutting tool: Barnel Model B1444 pruner or another good quality straight pruner.



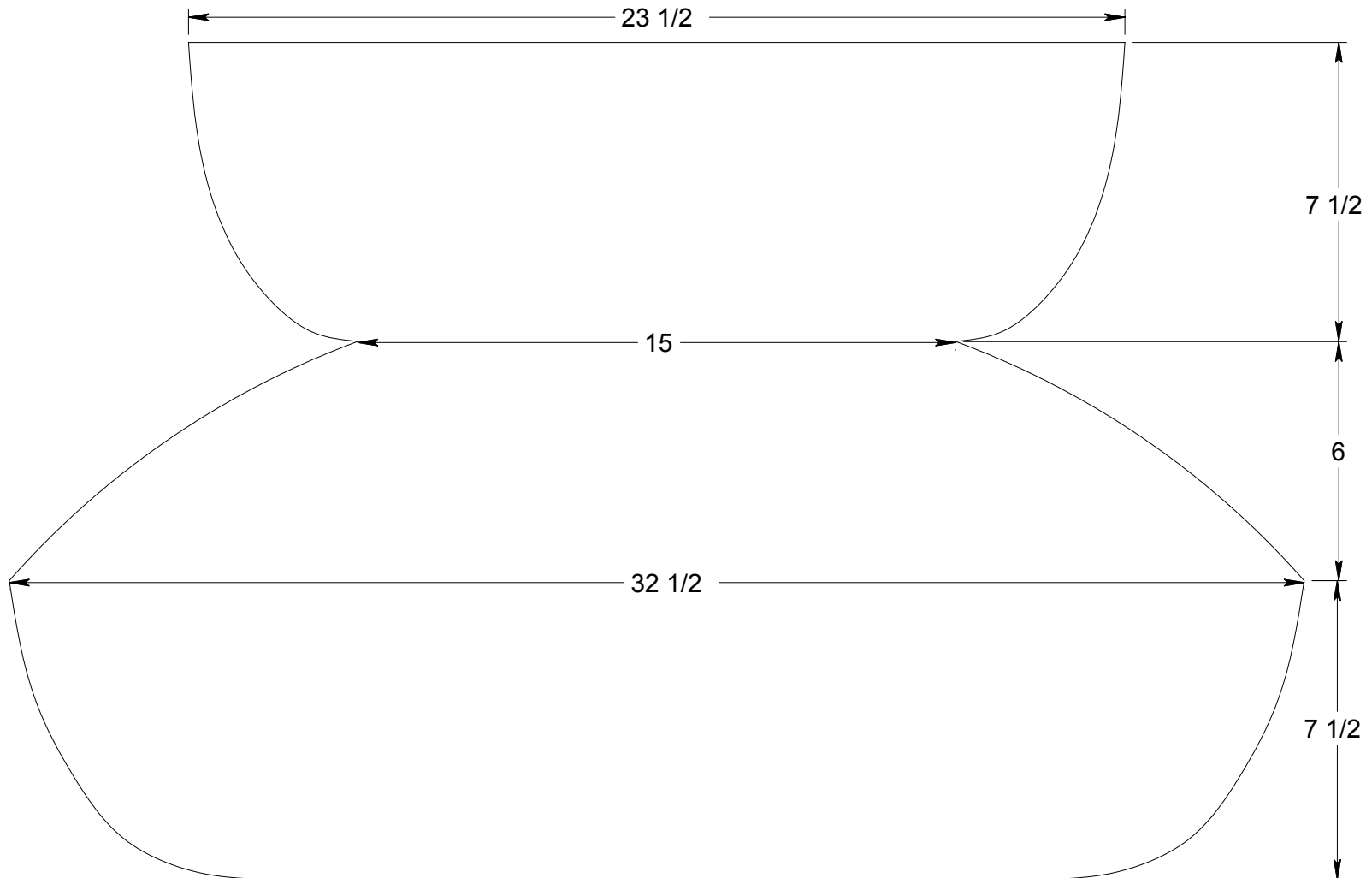
## CoCo Fiber Template



## 24" Hampton Trough Planter

Amount Needed: Cut a 36" piece of CoCo Fiber from the 24" roll at your local Austram dealer.

Recommended cutting tool: Barnel Model B1444 pruner or another good quality straight pruner.

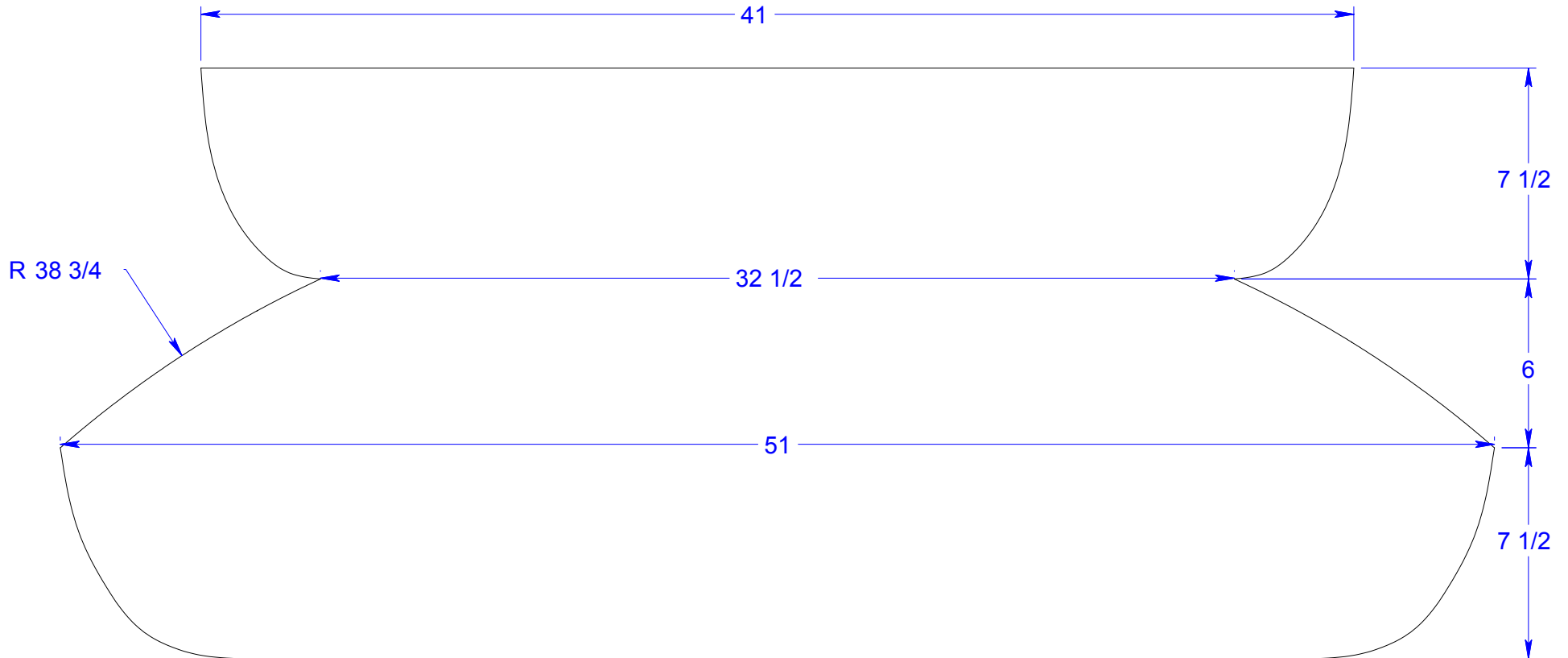


## CoCo Fiber Template



## 42" Hampton Trough Planter

Amount Needed: Cut a 60" piece of CoCo Fiber from the 24" roll at your local Austram dealer.  
Recommended cutting tool: Barnel Model B1444 pruner or another good quality straight pruner.



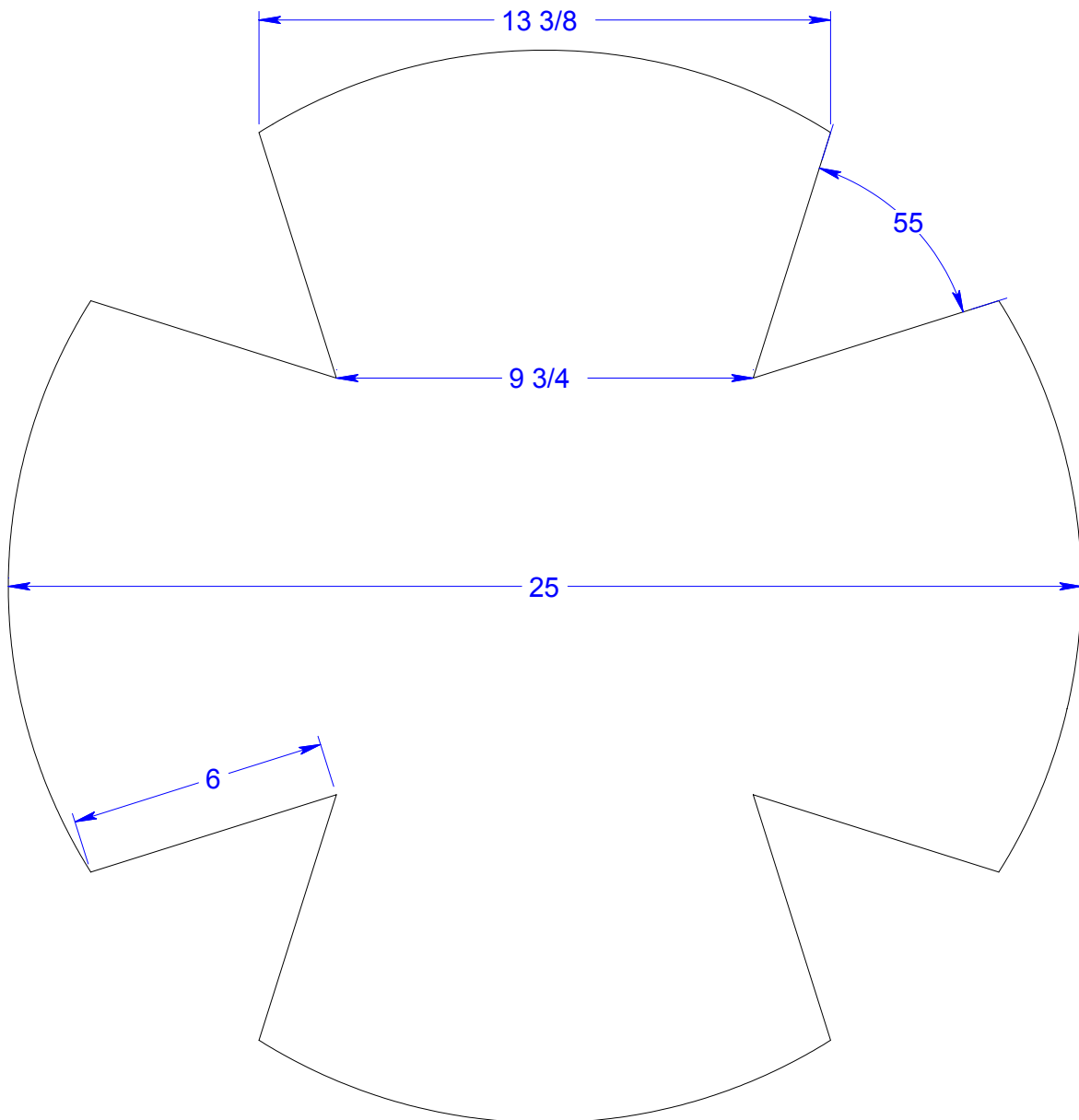
# CoCo Fiber Template



# 16" Hampton Hanging Planter

Amount Needed: Cut a 36" piece of CoCo Fiber from the 36" roll at your local Austram dealer.

Recommended cutting tool: Barnel Model B1444 pruner or another good quality straight pruner.



# CoCo Fiber Template



# 30" Hampton Trough Planter

Amount Needed: Cut a 48" piece of CoCo Fiber from the 24" roll at your local Austram dealer.  
Recommended cutting tool: Barnel Model B1444 pruner or another good quality straight pruner.

