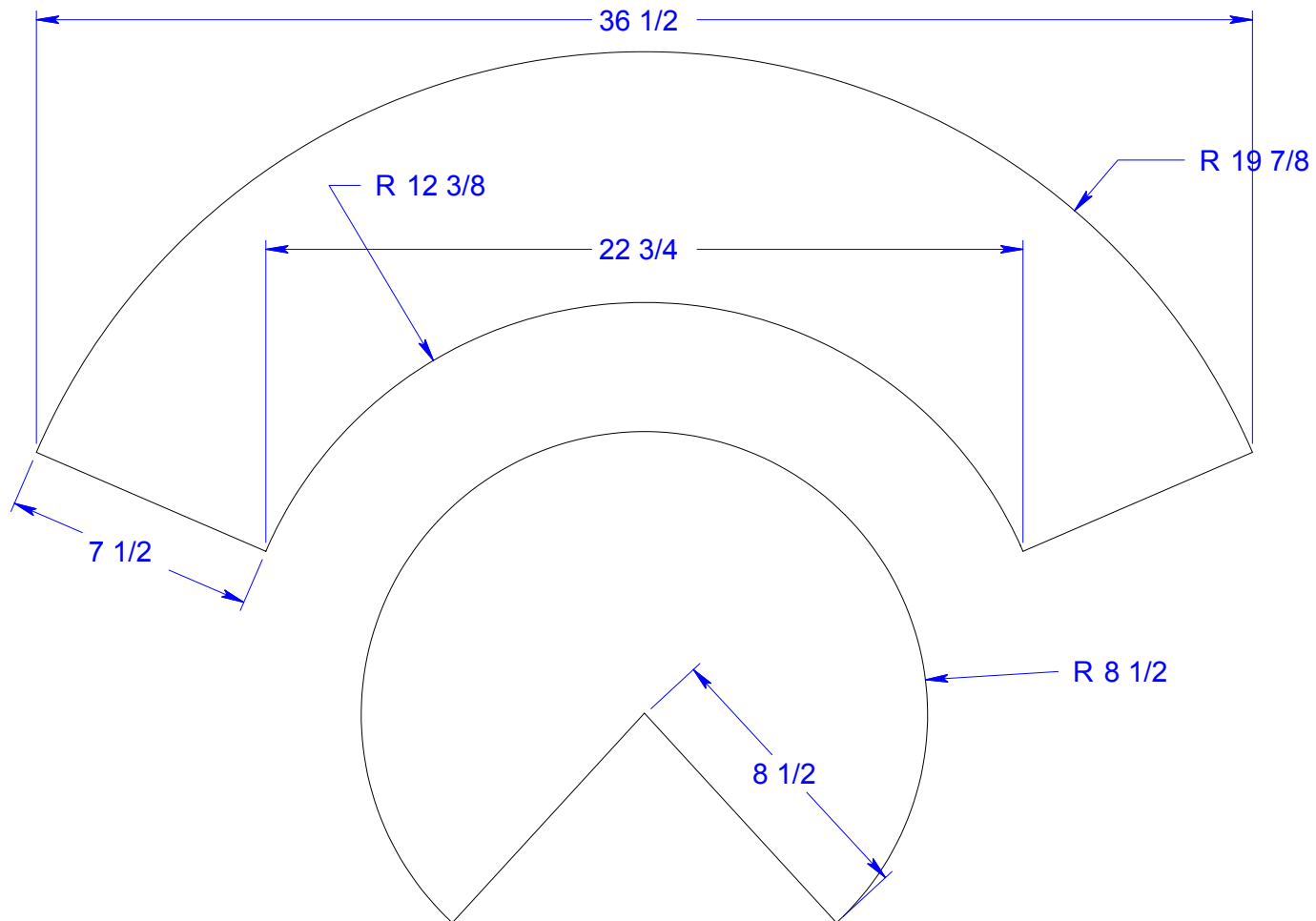


CoCo Fiber Template



14" Queen Ann Parasol Hanging Planter

Amount Needed: Cut a 24" piece of CoCo Fiber from the 36" roll at your local Austram dealer.
Recommended cutting tool: Barnel Model B1444 pruner or another good quality straight pruner.



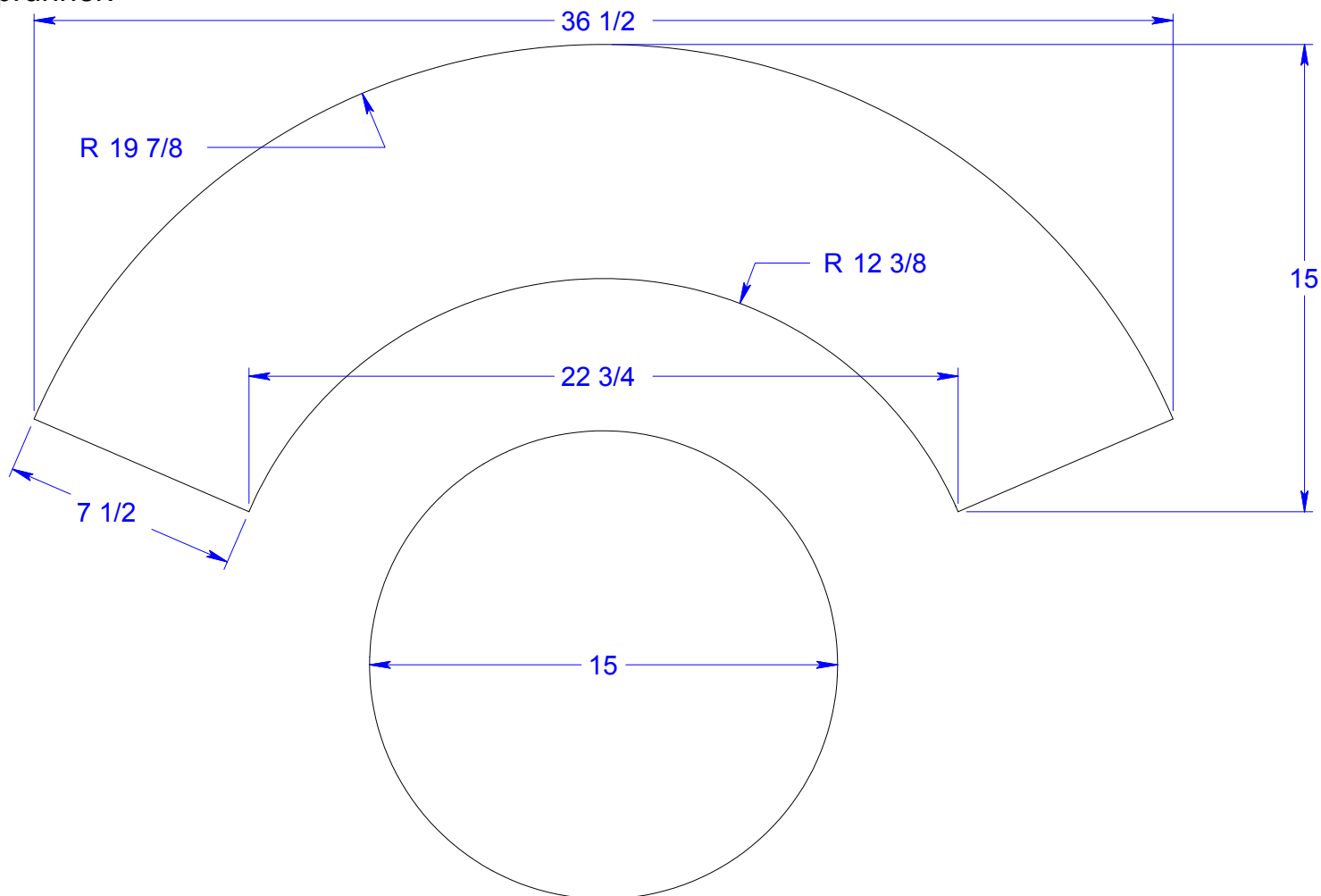
CoCo Fiber Template



14" Queen Ann Round Nested Planter

Amount Needed: Cut a 36" piece of CoCo Fiber from the 36" roll at your local Austram dealer.

Recommended cutting tool: Barnel Model B1444 pruner or another good quality straight pruner.

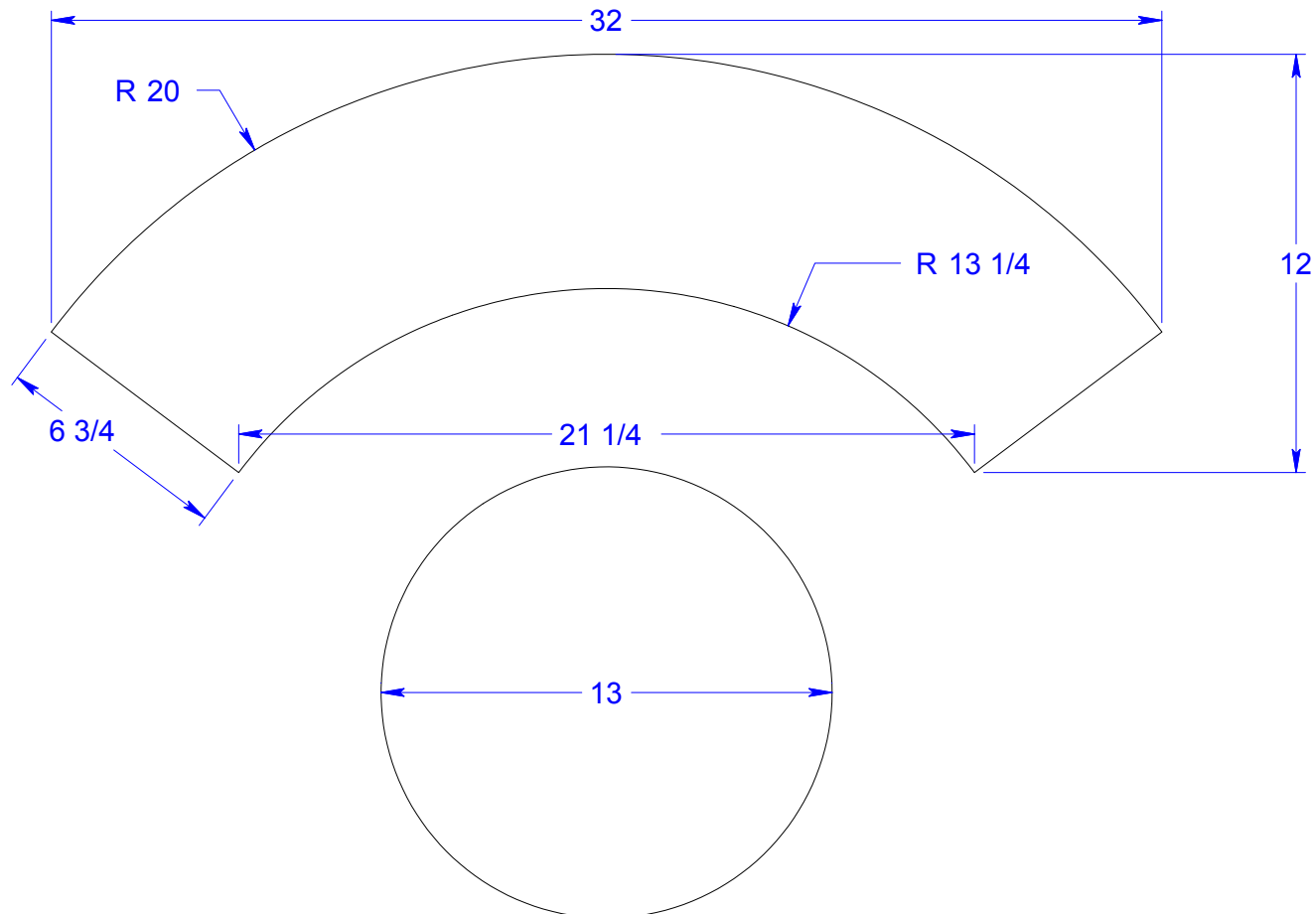


CoCo Fiber Template



12" Queen Ann Round Nested Planter

Amount Needed: Cut a 36" piece of CoCo Fiber from the 24" roll at your local Austram dealer.
Recommended cutting tool: Barnel Model B1444 pruner or another good quality straight pruner.



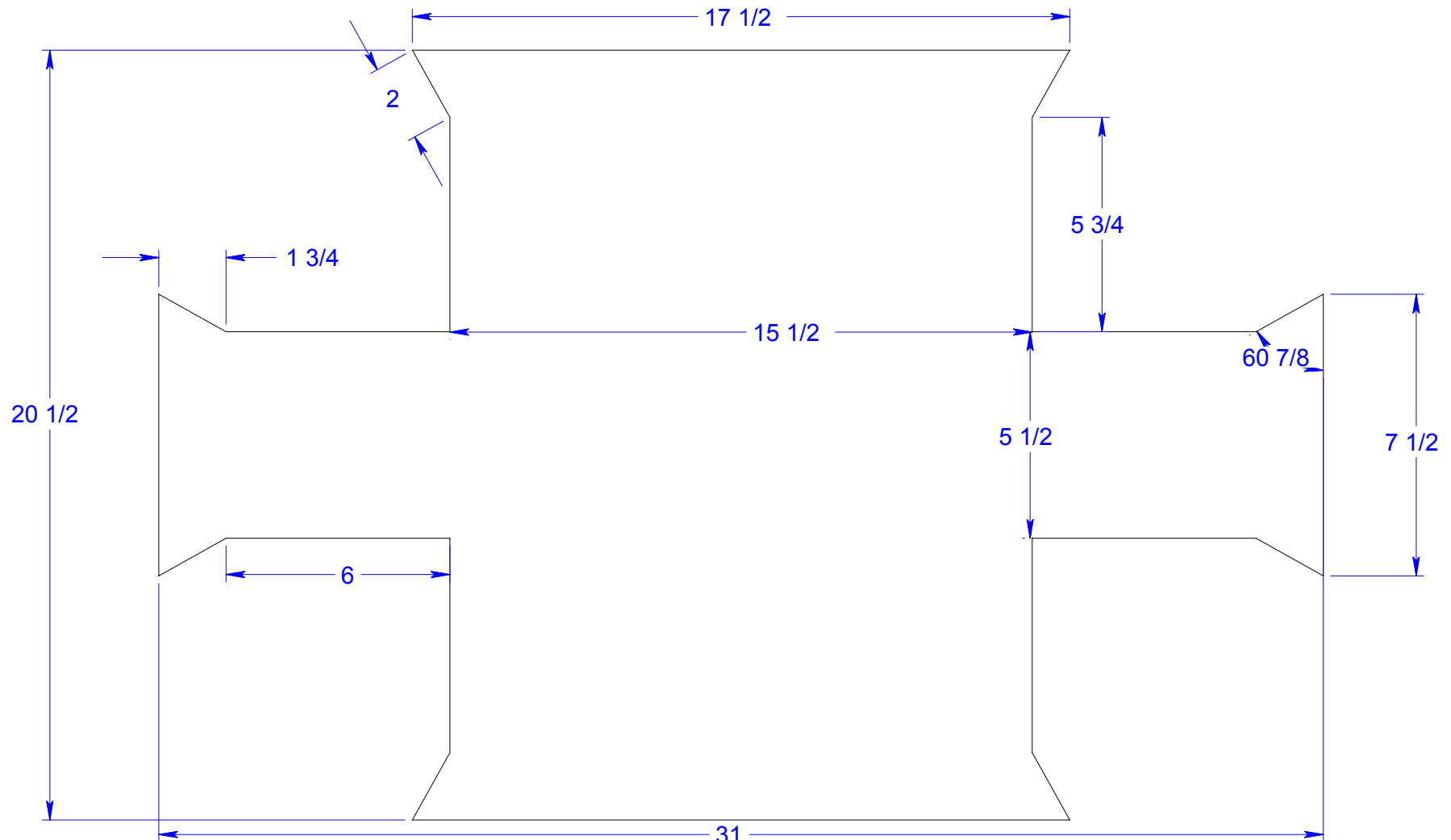
CoCo Fiber Template



18" Queen Ann Rectangle Planter

Amount Needed: Cut a 36" piece of CoCo Fiber from the 24" roll at your local Austram dealer.

Recommended cutting tool: Barnel Model B1444 pruner or another good quality straight pruner.



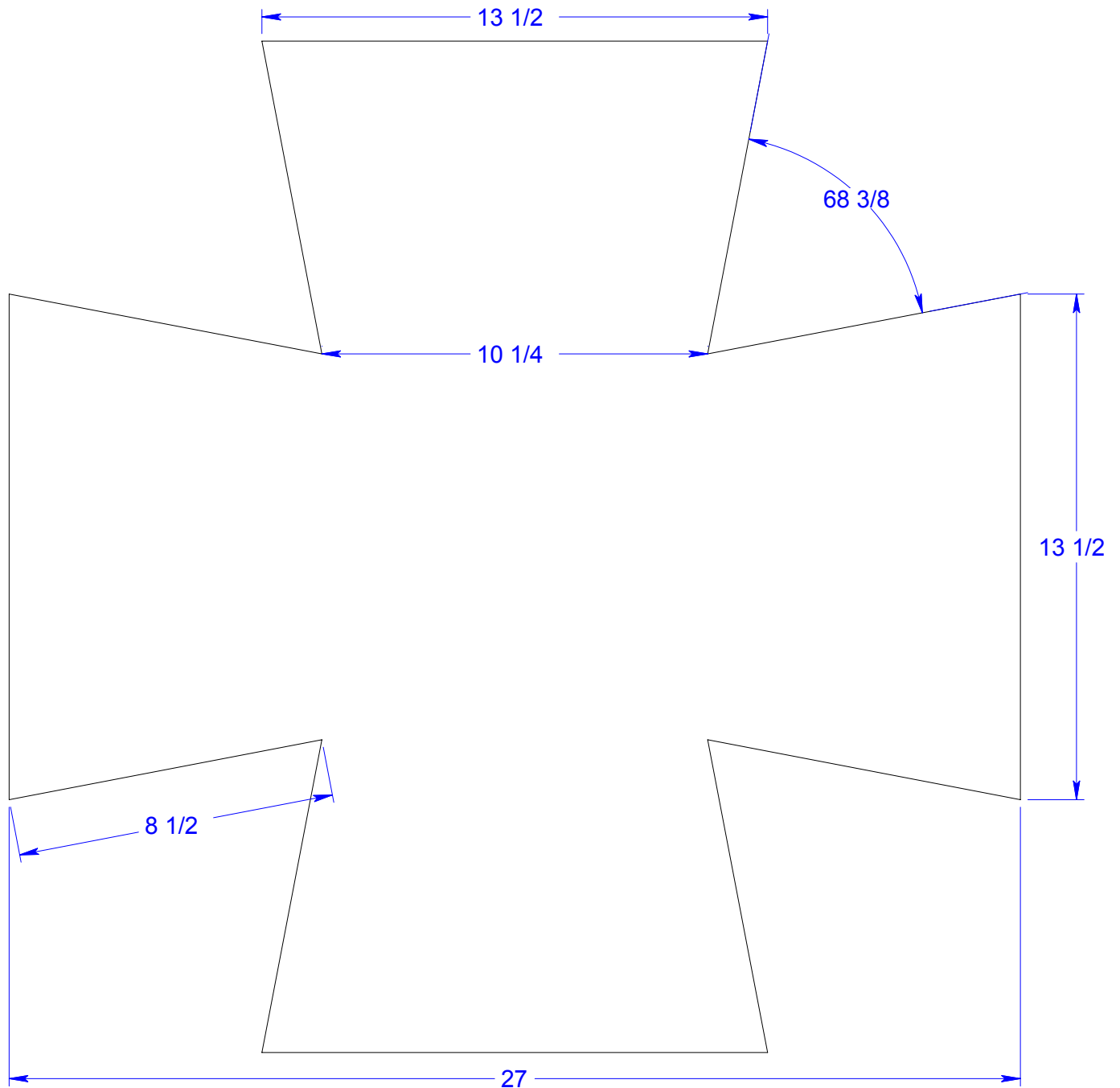
CoCo Fiber Template



16" Queen Ann Square Hanging Planter

Amount Needed: Cut a 36" piece of CoCo Fiber from the 36" roll at your local Austram dealer.

Recommended cutting tool: Barnel Model B1444 pruner or another good quality straight pruner.



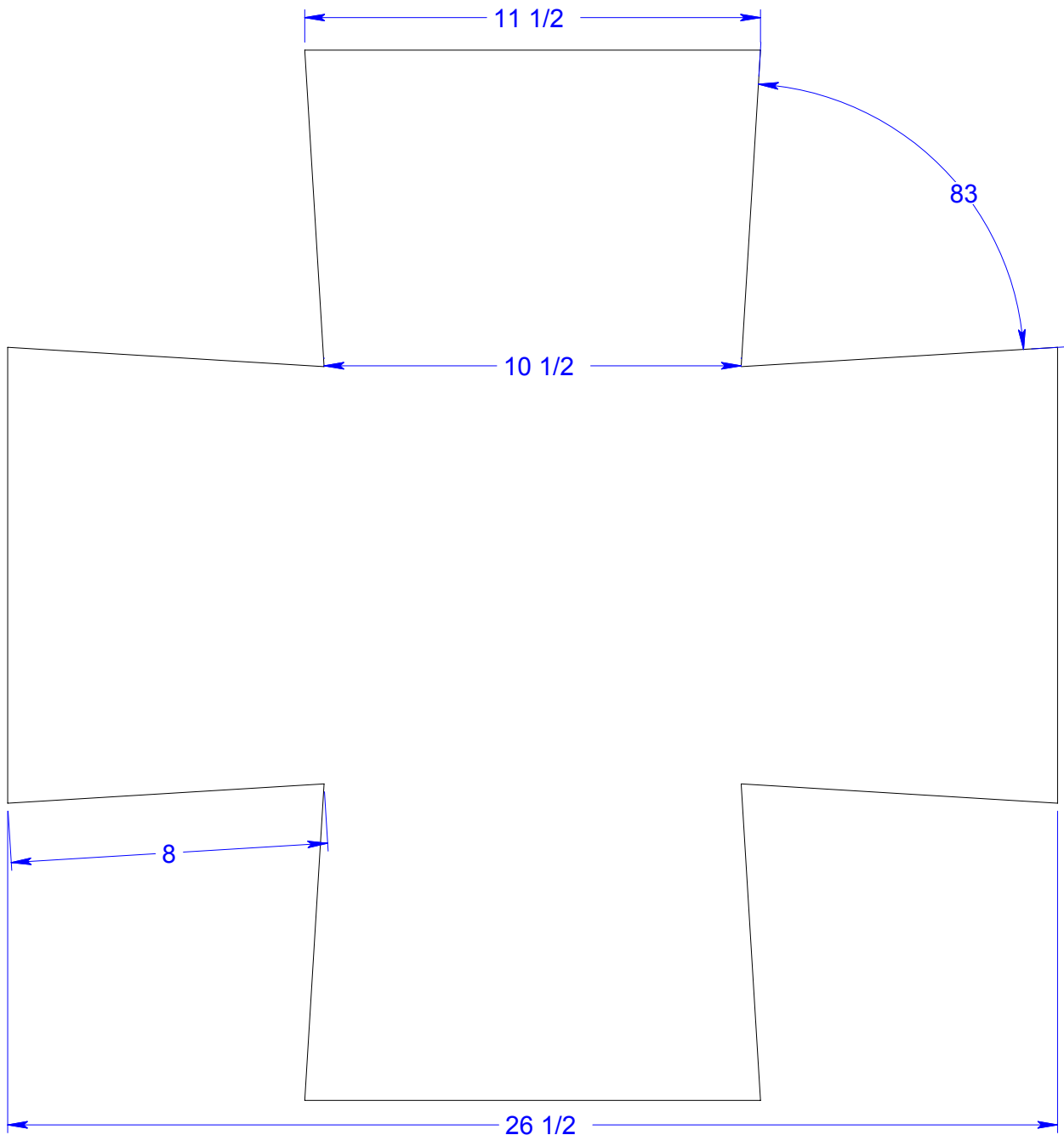
CoCo Fiber Template



14" Queen Ann Square Hanging Planter

Amount Needed: Cut a 36" piece of CoCo Fiber from the 36" roll at your local Austram dealer.

Recommended cutting tool: Barnel Model B1444 pruner or another good quality straight pruner.



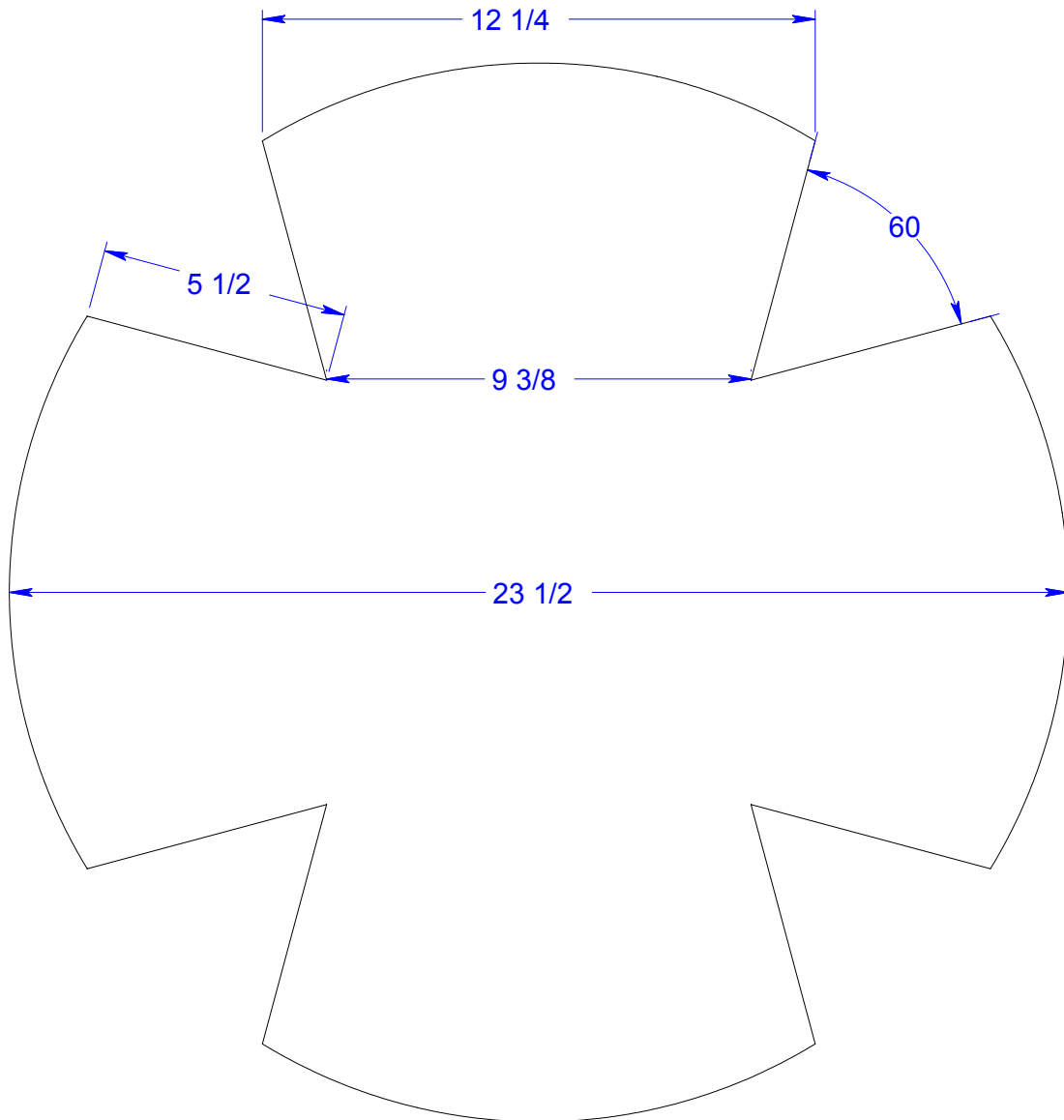
CoCo Fiber Template



16" Queen Ann Round Hanging Planter

Amount Needed: Cut a 24" piece of CoCo Fiber from the 24" roll at your local Austram dealer.

Recommended cutting tool: Barnel Model B1444 pruner or another good quality straight pruner.



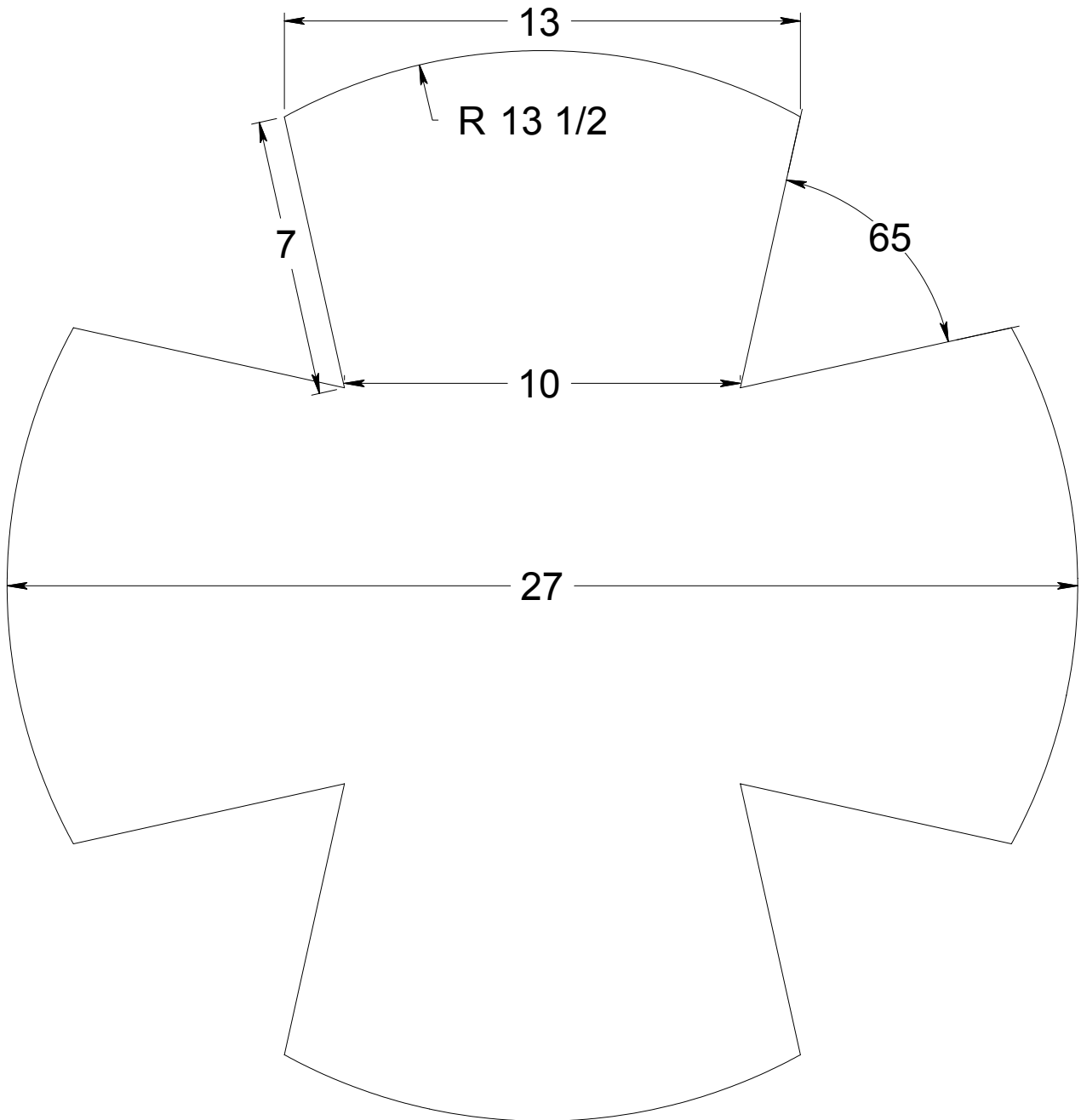
CoCo Fiber Template



16" Queen Ann Round Hanging Planter

Amount Needed: Cut a 36" piece of CoCo Fiber from the 36" roll at your local Austram dealer.

Recommended cutting tool: Barnel Model B1444 pruner or another good quality straight pruner.



CoCo Fiber Template



16" Queen Ann Round Nested Planter

Amount Needed: Cut a 48" piece of CoCo Fiber from the 36" roll at your local Austram dealer.

Recommended cutting tool: Barnel Model B1444 pruner or another good quality straight pruner.

